



Atlas Copco



# SMARTLINK connects you to an easier life.

**SMARTLINK** captures live data from your compressed air system and translates them in clear insights. At a glance, you can check uptime, energy efficiency and the health of your complete installation.

# Energy efficiency



**SMARTLINK** offers easy follow-up of the energy consumption of your compressed air installation. Get a quick overview on the dashboard or delve deeper into customized reports.

Uniquely based on the actual working conditions of your machines, recommendations present real opportunities to improve the efficiency of your air system.

Save up to

**30%** with improved energy efficiency

## Choose your service level: **SMARTLINK ENERGY**

- Analyze and optimize the energy efficiency of your compressor room
- A must for ISO50001 compliance
- Performance indicators, benchmarks and trends
- Easy access to reports and recommendations



## Diagnostic Supervision

This option enables us to spot and fix any deviations at an early stage. Based on smart algorithms and our expert analysis, proactive troubleshooting keeps your energy efficiency at its top level.

# Uptime



Are your compressors up and running as they should? A quick glance at the **SMARTLINK** dashboard will tell you.

If an issue comes up, **SMARTLINK** prompts you to take action. An early response is the best way to avoid unexpected downtime! If you have a TotalCare or Total Responsibility Service Plan, Atlas Copco will proactively fix the problem for you.

Increase your uptime with

**3%** by having your compressors under a service contract with **SMARTLINK**

## Choose your service level: **SMARTLINK UPTIME**

- Get maximum availability of all connected machines
- Early warnings and recommendations for installation improvement
- All alert notifications sent to your computer or smartphone
- Easy follow-up of machine health



### **Integrated Bearing Condition Monitoring**

The Shock Pulse Monitoring (SPM) option keeps an eye on critical components and warns you when they need to be replaced. Avoid a disruption of your production and get maximum equipment lifetime.

# SMARTLINK

# Overall health



Ensuring your machines are in good shape AND will stay that way: isn't that what it's all about? **SMARTLINK** tracks all the vital signs of your compressed air equipment and makes them available to you, anywhere, anytime.

For your machines, staying in shape means on-time service. The service timeline shows you the service needs of every machine, planned visits and clear service reports.

## Actively monitoring more than

# 30

data points via **SMARTLINK** will help you to improve the health rate of your compressor

## Choose your service level: **SMARTLINK SERVICE**

- Free experience for all customers
- Consult service needs, all historic events and (service) documentation
- Recommendations for real improvements
- Basic alert notifications to your smartphone



### Total Responsibility

With a Total Responsibility Service Plan, we take complete care of your compressed air equipment. On-time maintenance by service experts, genuine parts, upgrades, overhauls, full risk coverage: it all contributes to optimal machine health and reduced overall costs.

# Move beyond the compressor room



To be 'smart', a factory needs data. Lots of it. In the case of a compressed air installation, that information includes the air demand, the ambient conditions, the required air quality, identification of leaks or pressure drops, etc. SMART AIRnet offers a solution to gather this continuous stream of valuable information from all over your factory and visualize it through **SMARTLINK**.

## Get insights into your whole factory

SMART AIRnet adds smart and wireless pressure sensors, flow meters, dew point sensors, etc ... to your air net installation and connects them with **SMARTLINK**. Thresholds based on your specific working conditions for each sensor can trigger an alert sent to your computer or smartphone. This allows you to further increase the efficiency and reliability of every part of your installation.

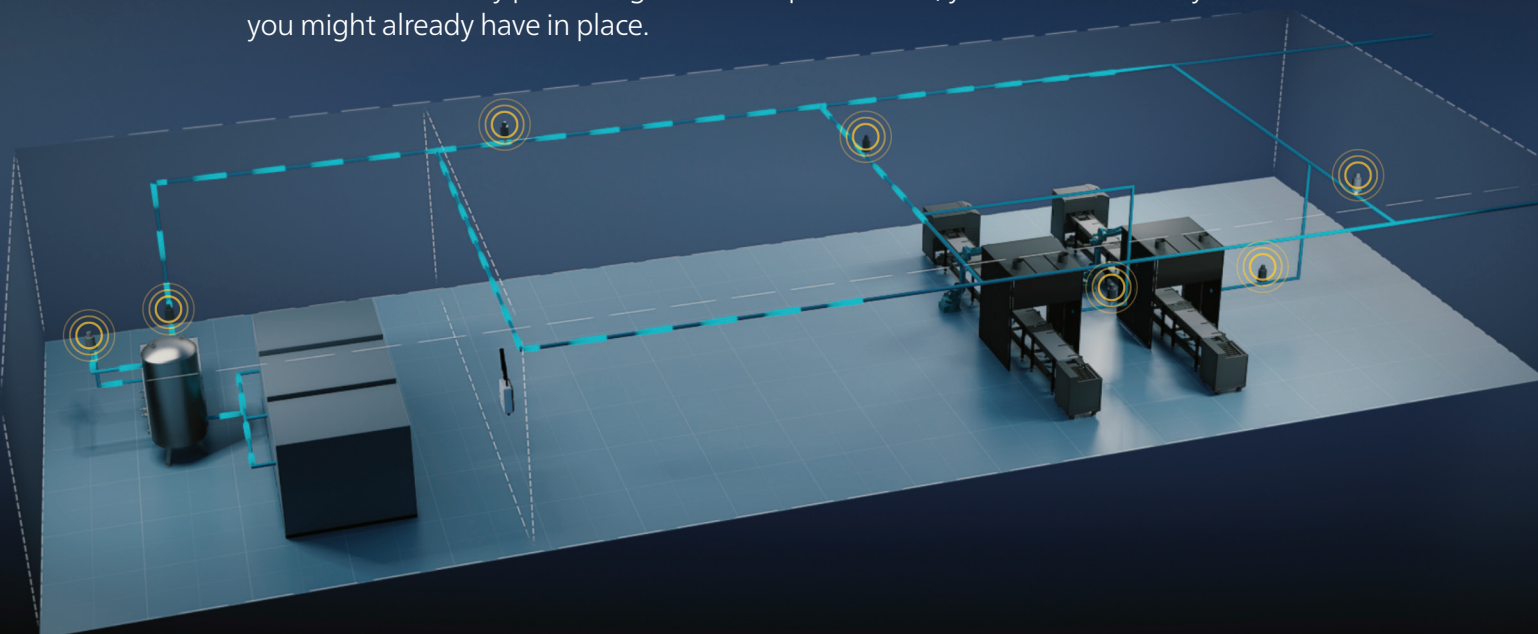
## Choose your service level: SMART AIRnet

- Manage and optimize the energy efficiency of the full compressed air network throughout your factory
- Performance indicators, benchmarks and trends
- Easy access to reports and recommendations
- A must for ISO50001 compliance



## Easy installation

Installing SMART AIRnet is easy. You can add sensors to any air net piping throughout your factory. A local gateway will collect all sensor data and transmit it to **SMARTLINK** for easy processing. With an input module, you can connect any sensor you might already have in place.





[atlas-copco.com](https://atlas-copco.com)

