



INNOVATION

Atlas Copco Capital Markets Day 2014

Mats Rahmström

Business Area President

Industrial Technique

Atlas Copco

AGENDA

1. How we work with innovation
2. Innovative products
3. Strategic growth platforms

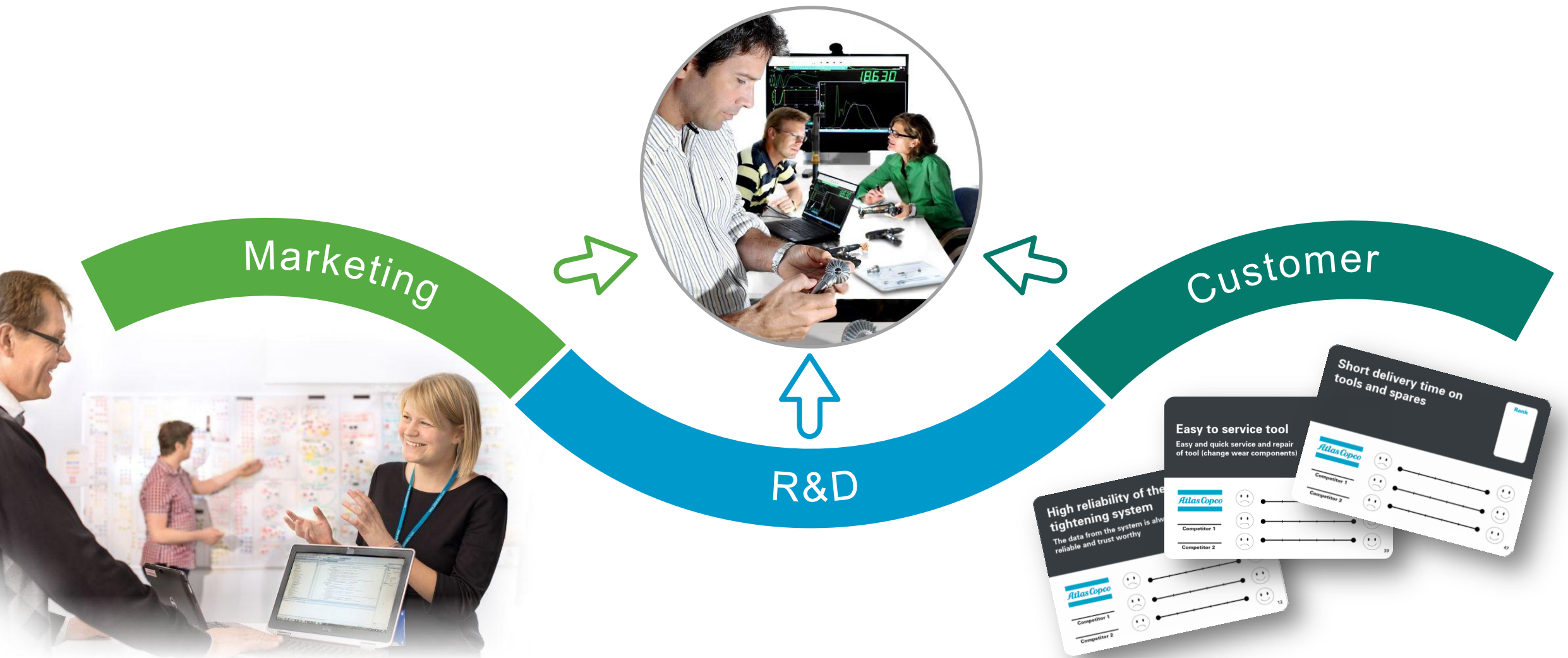


INNOVATION: WHAT WILL IT DO FOR OUR CUSTOMERS?



CLEAR AND SIMPLE VALUE CREATION

HOW WE WORK WITH INNOVATION



INNOVATIVE PRODUCTS

Fastening and error proofing



Product

Power Focus 6000 with
Tensor ETT / Turbotight®
and Synatec.

Segment

Automotive and general industry.

Innovative benefit

Error proofing / traceability /
flexibility.

Application



INNOVATIVE PRODUCTS

Saltus – quality assurance



Product

Mechatronic system.

Segment

Manual fastening processes in the automotive and general industry.

Innovative benefit

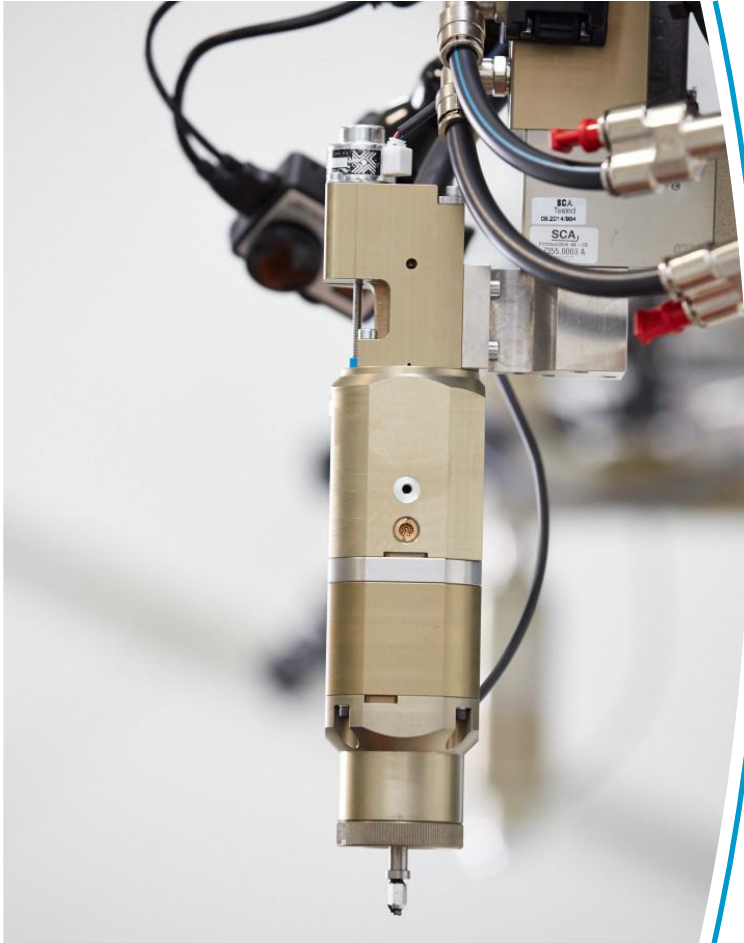
Error proofing / traceability.

Application



INNOVATIVE PRODUCTS

SCA – adhesive solutions



Product

E-Swirl 2nd Generation.

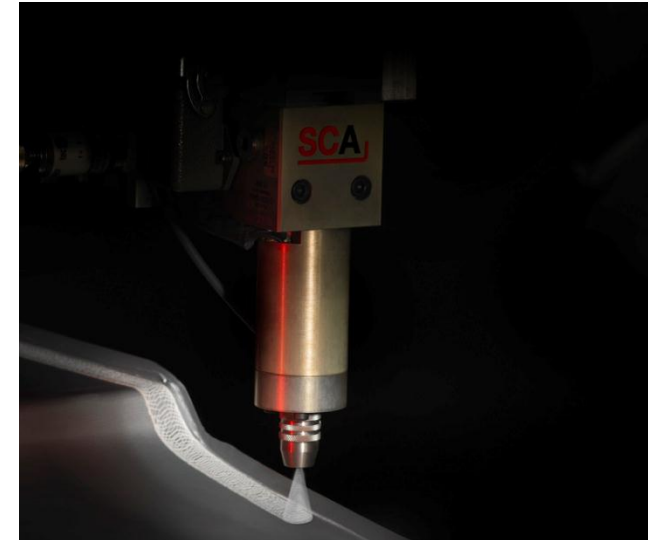
Segment

Automotive – body shop.

Innovative benefit

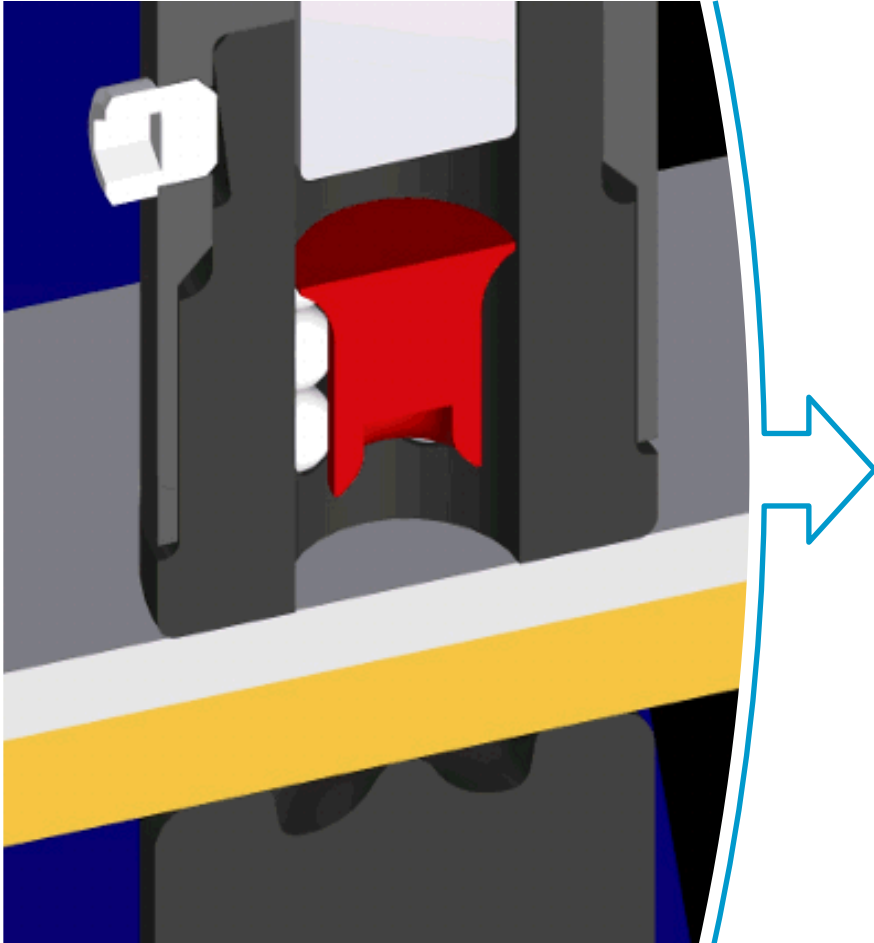
Efficiency and improved application quality.

Application



INNOVATIVE PRODUCTS

Henrob – self-pierce riveting



Product

Self-pierce riveting.

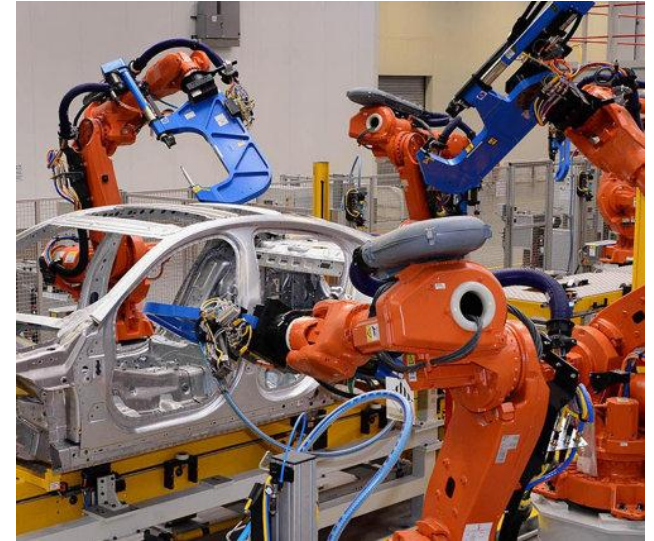
Segment

Automotive industry.

Innovative benefit

Flexibility, efficiency and lower manufacturing costs.

Application



INNOVATIVE PRODUCTS

Tentec – bolting solutions



Product

Multi Stud Tensioning System for Compact Subsea Flanges.

Segment

Oil and Gas.

Innovative benefit

Simultaneous tensioning of Studbolts, improving joint integrity and speed of use.

Application



INNOVATIVE PRODUCTS

Seti-Tec – drilling technology



Product

ADU – Advanced drilling unit.

Segment

Aerospace.

Innovative benefit

Modular concept with the best power to weight ratio in its class.

Application



INNOVATIVE PRODUCTS

Chicago Pneumatic – cordless tools



Product

CP8848 ½” impact wrench,
Cordless tool.

Segment

Vehicle service and light
industrial maintenance.

Innovative benefit

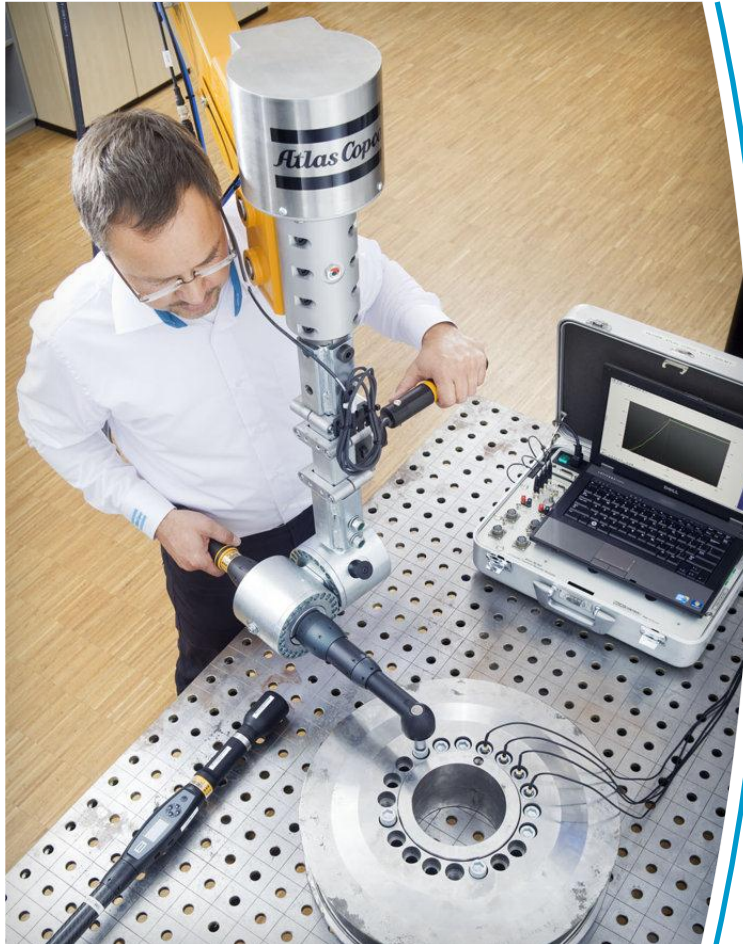
Improved performance, less
vibration, better durability.

Application



INNOVATIVE PRODUCTS

Industrial Technique Service



Product

Joint integrity.

Segment

Manufacturing industries.

Innovative benefit

Quality assurance and process efficiency.

Application



STRATEGIC GROWTH PLATFORMS



Product portfolio



Adhesive solutions



Self-pierce riveting



Aerospace



Quality assurance



Bolting solutions



Error proofing



Industrial service



Clear value creation



***COMMITTED TO
SUSTAINABLE PRODUCTIVITY.***



Atlas Copco

