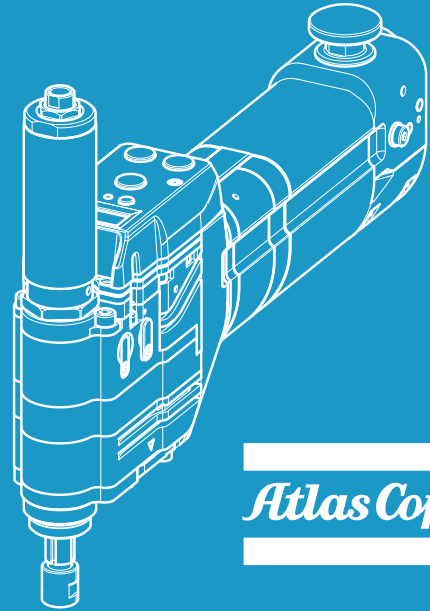
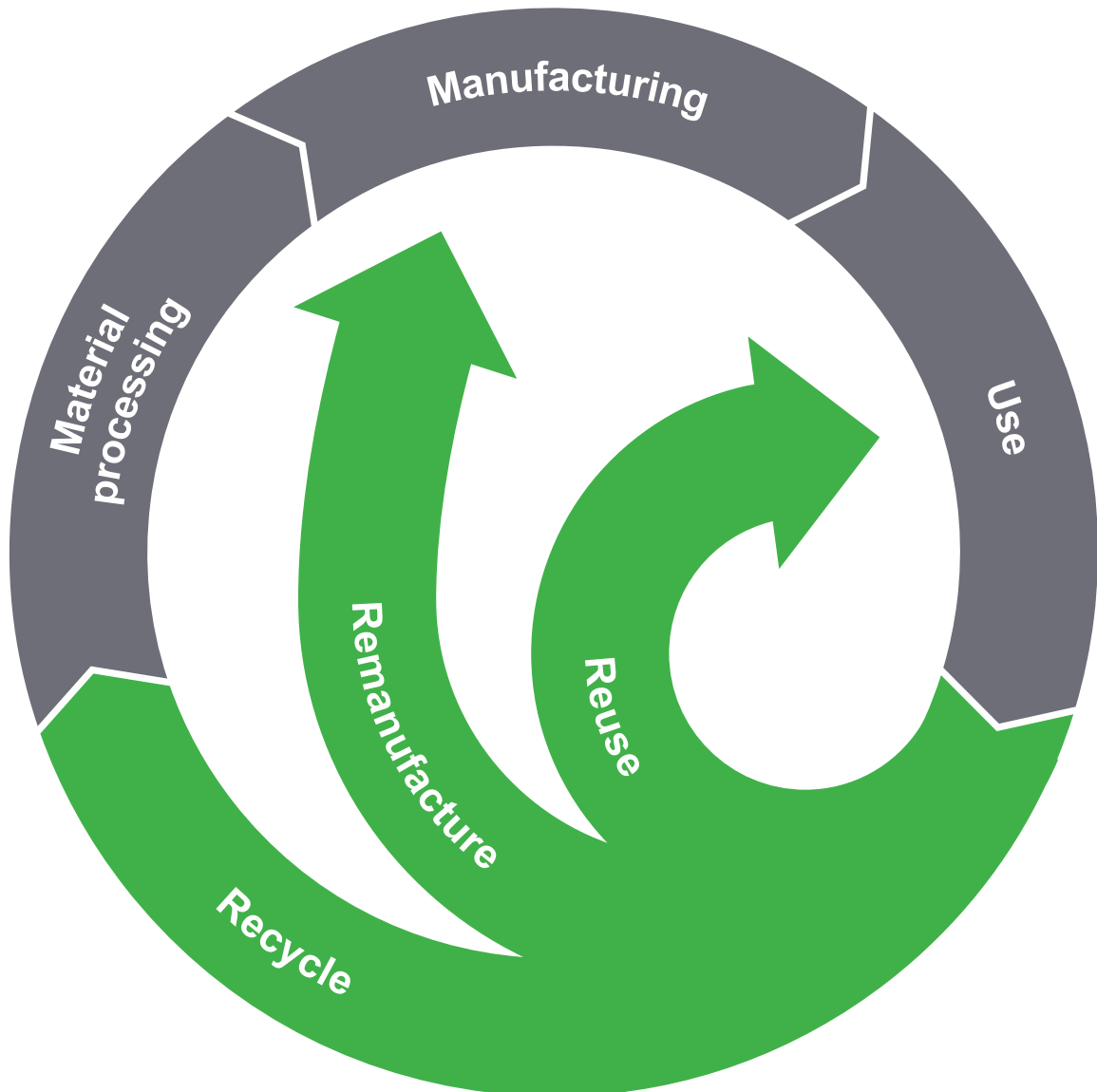


# RECYCLING INSTRUCTIONS

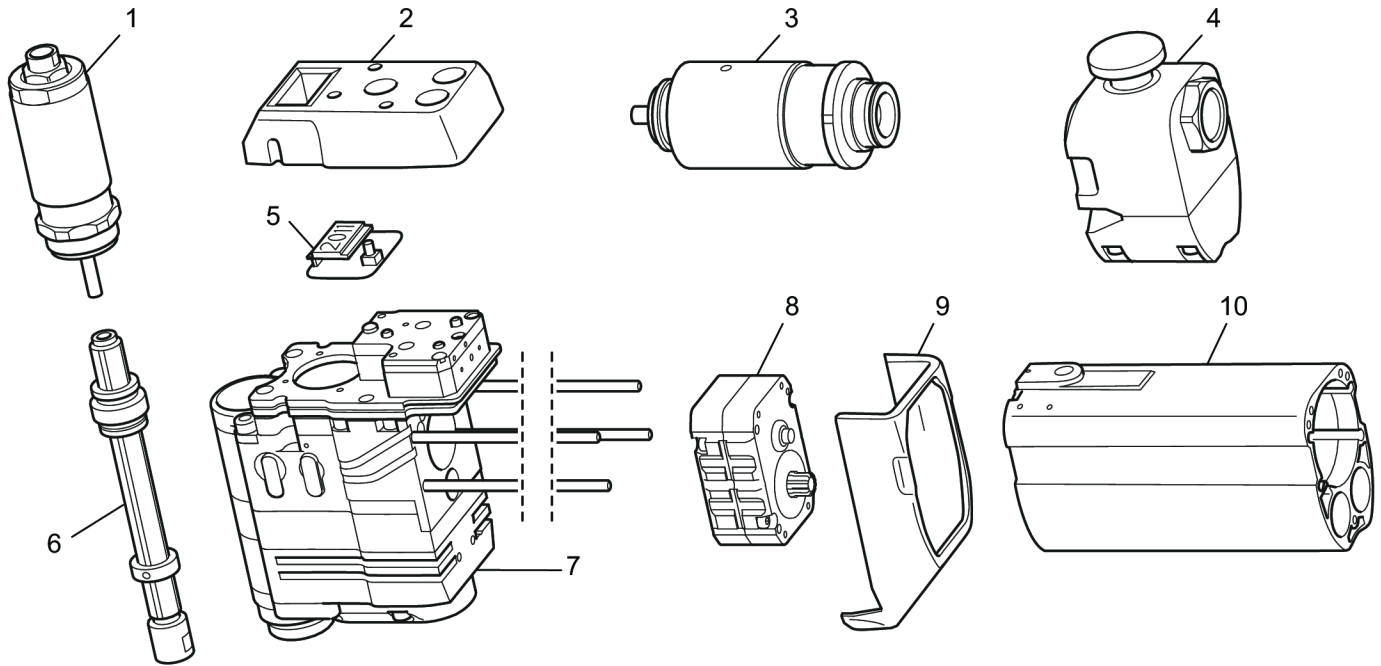
## Positive feed drill



*Atlas Copco*



## Recycling information for PFD1100RA



2202266379

Pos	Part	Remark	Recycle as
1	Spindle guard	Remove transparent PC plastic before recycling	Metal, Aluminum
2	Air logic cover		Metal, Aluminum
3	Motor		Metal, Aluminum
4	Motor valve		Metal, Aluminum
5	Counter		Electronic
6	Spindle		Metal, Steel
7	Head		Metal, Aluminum
8	Split gear		Metal, Steel
9	Cover		Metal, Aluminum
10	Motor housing		Metal, Aluminum