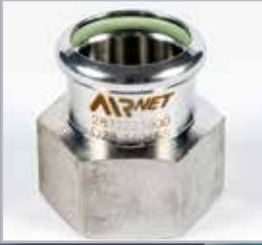


# Aluminum and Stainless Steel Pipe & Fittings Catalog



**AIRNET**

# Aluminum and Stainless Steel Table of Contents

## General Information

Atlas Copco .....	4
Aluminum .....	5
Stainless Steel .....	7

## Aluminum Piping

Aluminum Pipes for Air (5.7m / 18.7 ft) .....	8
Aluminum Pipes for Inert Gases .....	8
Aluminum Pipes for Air (2.85m / 9.35 ft.) .....	8
S-bends .....	9
Clip, Brackets and Support .....	9
Threaded Rod Adapters .....	9

## Fittings

Equal Unions .....	10
Reducing Unions .....	10
Elbows 90° .....	11
Elbow 45° .....	11
Equal Tee .....	12
Reducing Tee .....	12
Threaded Reducing Tee NPT .....	13
Pipe End Adapters .....	13
End Caps .....	14
AIRnet Valves .....	14
Lock Out/Tag Out .....	15
Butterfly Valves .....	15
Flanges and Gaskets .....	16
Quickdrop Series .....	16
NPT Thread Connectors .....	17
Spare Nuts .....	17
Adapter Union .....	18
Reduction Kit .....	18
O-Rings .....	18
Hex Nipples and NPT Connectors .....	19
Wall Mounted Manifolds .....	19

## Accessories

Flexible Hoses .....	20
Demo Boxes .....	20
Labels .....	20
Connectivity Strips .....	21
Hanging Hardware .....	21
Screw Beam Clamps .....	21
Threaded Rod .....	21

## Tools

AIRnet Spanner .....	22
Torque Wrench .....	22
Pipe Marker .....	22
Aluminum Pipe Cutter .....	22
Electric Pipe Cutter .....	23
Aluminum Pipe De-burrer .....	23
Hole De-burrer .....	23
Drill Bits .....	23
Drill Bits Holder .....	24
L Key .....	24
Slide Fluid .....	24
Complete Toolbox .....	24

## Point of Use

Hose Reels .....	25
Automatic Condensate Drains .....	25
Pressure Regulator .....	25
Filter-Regulator-Lubricator .....	26
Replacement Filter Insert .....	26
Spiral Hose .....	26
Quick Connect Coupler .....	27
Safety Coupler .....	27

## Design Requirement

Properly Designed System .....	28
Pre-Installation .....	29
Evaluating Pressure Drop .....	30
Network Requirements .....	31
Designing Your System .....	32

## Aluminum Installation

Installation Guide .....	34-49
Pre-Quote Checklist .....	50
Commissioning Report .....	51

## Stainless Steel Pipe

Piping 304L (5.7m / 18.7 ft) .....	53
Piping 316L (5.7m / 18.7 ft) .....	53

## Stainless Steel Fittings

Saddle Clamp Quickdrop .....	53
S-bend .....	53
Elbows 45° .....	54
Elbow 90° .....	54
Equal Tee .....	54
Reducing Tee .....	55
Threaded Reducing Tee NPT .....	55
Equal Unions .....	56

Threaded Adapter .....	56
End Caps .....	57
Wall Mount Manifold .....	57
Reducers .....	58
Adapters .....	58
Flanges .....	58
Valves .....	59
Compensators .....	59

## Stainless Steel Accessories

Pipe Clip UNC .....	59
O-Ring Kit .....	60
Gasket for Flange .....	60

## Stainless Steel Tools

Press Tool .....	61
Tool Jaw .....	61
De-burring .....	61
Marker Gauge .....	61

## Stainless Steel Installation

Installation Guide .....	62-73
Pre-Quote Checklist .....	74
Commissioning Report .....	75
Warranty .....	77

# Atlas Copco General Information



## Atlas Copco in the United States

Our products help customers to achieve sustainable productivity in a wide range of markets, including general engineering, manufacturing and process industries, construction, automotive, electronics, oil and gas, and much more.

Atlas Copco in the United States handles the sales and service of industrial gas and air compressors, dryers and filters, compressor parts and service, and vacuum pumps; construction and demolition tools including mobile compressors, pumps, light towers and generators and handheld tools; industrial electric, pneumatic, cordless transducerized assembly tools, alongside an extensive range of pneumatic grinders, sanders, drills, and chipping hammers and riveting systems.

Atlas Copco customers are supported by a nationwide sales, distribution, and service network, to ensure that products are running at maximum efficiency and minimum downtime at our customers' sites.

The Atlas Copco Group is a world-leading provider of sustainable productivity solutions. The Group serves customers in more than 180 countries with products and services focused on productivity, energy efficiency, safety and ergonomics.





## PIPES 20 (¾") - 25 (1") - 40 (1 ½") - 50 (2") - 63 (2 ½") - 80 (3") - 100 (4") - 158 (6") MM

<b>APPLICATIONS</b>	Compressed Air and Vacuum	<b>EN STANDARD</b>
<b>ADDITIONAL GASSES</b>	Nitrogen, Helium, Argon, Neon, Xenon and Krypton	
<b>MATERIAL</b>	Extruded aluminum alloy EN AW-6060 T6 (similar to alloy 6063T5)	EN 755-2 (ASTM B241)
<b>SAFETY FACTOR</b>	4 for all diameters (burst pressure)	(Calculated according to ASME B31.1)
<b>WORKING PRESSURE</b>	Max 16 bar(g) (Max 232 psig)	
<b>WORKING TEMPERATURE</b>	-20°C to 80°C (-4°F to 176°F)	
<b>VACUUM LEVEL</b>	13 mbar(a) (0.189 psia)	
<b>DEWPOINT</b>	Lowest allowable pressure dewpoint is -70°C (-94°F)	
<b>OUTSIDE TREATMENT</b>	Polyester powder paint (QUALICOAT certified)	
<b>INSIDE TREATMENT</b>	Chrome free conversion treatment	
<b>COLORS</b>	Blue RAL 5012, Green RAL 6018 and Gray RAL 7000 (*by Special Order)	



## FITTINGS 20 (¾") - 25 (1") - 40 (1 ½") - 50 (2") MM (PF SERIES)

<b>CONNECTION</b>	Push to fit technology	<b>EN STANDARD</b>
<b>MATERIALS</b>	Engineered polymer PA6 - GF30 fiberglass reinforcement Aluminum high pressure die casting EN AC-46100 (Similar to A03830) Wrought aluminum alloy EN AW-6026 (Similar to alloy 6082)	EN 1706 (ASTM B85) EN 755-2 (ASTM B221)
<b>SEAL FITTINGS</b>	NBR 70 Sh A (PTFE coating on pipe seal)	



## FITTINGS 63 (2 ½") - 80 (3") MM (BLACK SERIES)

<b>CONNECTION</b>	Torque to grip technology	<b>EN STANDARD</b>
<b>MATERIALS</b>	Aluminum high pressure die casting EN AC-46100 (Similar to A03830) Aluminum permanent mold casting EN AC-43100 (Similar to A13600) Wrought aluminum alloy EN AW-6026 (Similar to alloy 6082)	EN 1706 (ASTM B85) EN 1706 (ASTM B85) EN 755-2 (ASTM B221)
<b>SEAL FITTINGS</b>	NBR 70 Sh A	



## FITTINGS 100 (4") - 158 (6") MM

<b>CONNECTION</b>	Bolt clamp technology	<b>EN STANDARD</b>
<b>MATERIALS</b>	Aluminum permanent mold casting EN AC-43100 (Similar to A13600) Stainless Steel EN 1.4301 (Similar to alloy 304)	EN 1706 (ESTM B85) EN 10088-2 (AISI 304)
<b>SEAL FITTINGS</b>	NBR 70 Sh A	



# Aluminum General Information

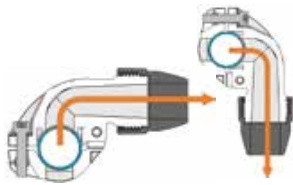
## AIRNET IS FAST AND EASY TO INSTALL AND FLEXIBLE FOR THE FUTURE

### TIME AND TOOLING

- Quick connections with no need to crimp, thread, solder or glue the pipe
- No heavy tooling or machinery required
- PF series and Black Series can be connected to any existing network via simple use of adaptor unions and nipple sockets
- PF series is assembled by hand, a push of the pipe into the fitting is all it takes

### MODULARITY

- Easy to handle and easy to work with lightweight materials
- Modular design supports extensions and modifications to meet new demands
- Components are interchangeable and reusable after disassembly
- Quickdrops are easily mounted, both horizontally and vertically



Quickdrop design  
safeguards leaktight and  
condensate free droplines



GUARANTEE

**10**  
YEARS



## AIRNET IS RELIABLE, SAFE, AND MAINTENANCE FREE

### SUSTAINABILITY

- Optimized inner body design minimizes flow resistance and pressure drop in the fittings
- Low friction factor and seamless connections minimize pressure drops in the pipe network
- Superior sealing technology ensures a leak free system and maintains performance over time
- Durable and corrosion resistant materials offers a maintenance free system

### SAFETY

- Safety factor of 4 for all diameters (burst pressure)
- Camera control and automatic assembly guarantee zero defect manufacturing
- Plastic components and pipe clips comply to UL 94 HB and UL 94 V-2 for flammability
- Torque indicators ensure sufficient torquing

White torque  
indicators  
(PF Series)





<b>PRODUCT RANGE</b>	<b>Pipes SS304L:</b> D15 (½"), D28 (1"), D35 (1 ¼"), D42 (1 ½"), D54 (2"), D76 (2 ¾"), D89 (3 ½"), D108 (4") <b>Pipes SS316L:</b> D15 (½"), D28 (1"), D42 (1 ½")	
<b>APPLICATIONS</b>	Compressed Air, Nitrogen, Vacuum, Potable water ...	standard
<b>MATERIAL</b>	Stainless Steel AISI 304L 1.4301 Stainless Steel AISI 316L 1.4404	EN10088 ASTM A666
<b>SAFETY FACTOR</b>	4, Burst pressure > 64 Bar (> 928 PSI)	
<b>WORKING PRESSURE</b>	16 Bar (232 PSI)	
<b>WORKING TEMPERATURE</b>	-20°C to 120°C (- 4°F to 248° F)	
<b>VACUUM LEVEL</b>	20 mbar abs	
<b>DEWPOINT</b>	Lowest allowable pressure dewpoint is -94°F	
<b>TREATMENT</b>	Annealing	



<b>FITTINGS</b>	D15 (½"), D28 (1"), D35 (1 ¼"), D42 (1 ½"), D54 (2"), D76 (2 ¾"), D89 (3 ½"), D108 (4")	
<b>CONNECTION</b>	Press fit system	standard
<b>MATERIALS</b>	Stainless steel AISI 316L 1.4404	EN10088 ASTM A666
<b>SEAL FITTINGS</b>	FKM (fluoroelastomer)	

# Aluminum

## Aluminum Pipes for Air

(5.7m / 18.7 ft)



PART NUMBER	OUTSIDE Ø (mm / inch)	INSIDE Ø (mm / inch)	LENGTH (ft)	PACK QTY
2811 1000 01	20 / ¾	17.4 / .7	18.7	1
2811 2000 01	25 / 1	22.2 / .9	18.7	1
2811 4000 01	40 / 1½	36.4 / 1.4	18.7	1
2811 5000 01	50 / 2	46 / 1.8	18.7	1
2811 6000 01	63 / 2½	59 / 2.3	18.7	1
2811 7000 01	80 / 3	76 / 3	18.7	1
2811 8000 00	100 / 4	97 / 3.88	18.7	1
2811 9000 01	158 / 6	151 / 5.71	18.7	1

## Aluminum Pipes for Inert Gases (Green)

(5.7m / 18.7 ft)



PART NUMBER	OUTSIDE Ø (mm / inch)	INSIDE Ø (mm / inch)	LENGTH (ft)	PACK QTY
2811 1061 01	20 / ¾	17.4 / .7	18.7	1
2811 2061 01	25 / 1	22.2 / .9	18.7	1
2811 4061 05*	40 / 1½	36.4 / 1.4	18.7	5*
2811 5061 04*	50 / 2	46 / 1.8	18.7	4*
2811 6061 03*	63 / 2½	59 / 2.3	18.7	3*
2811 7061 02*	80 / 3	76 / 3	18.7	2*
2811 8061 00*	100 / 4	97 / 3.88	18.7	1*
2811 9061 06*	158 / 6	151 / 5.71	18.7	6*

\* Special Order Only. P.O. Required, 6 - 8 week lead time, Ordered / shipped in bundle quantity

## Aluminum Pipes for Air (Blue)

(2.85m / 9.35 ft.)



PART NUMBER	OUTSIDE Ø (mm / inch)	INSIDE Ø (mm / inch)	LENGTH (ft)	PACK QTY
2811 1063 01	20 / ¾	17.4 / .7	9.35	1
2811 2063 01	25 / 1	22.2 / .9	9.35	1
2811 4063 01	40 / 1½	36.4 / 1.4	9.35	1
2811 5063 01	50 / 2	46 / 1.8	9.35	1

## Aluminum Pipes for Vacuum (Gray)

(5.7m / 18.7 ft)

PART NUMBER	OUTSIDE Ø (mm / inch)	INSIDE Ø (mm / inch)	LENGTH (ft)	PACK QTY
2811 1062 10	20 / ¾	17.4 / .7	18.7	10*
2811 2062 10	25 / 1	22.2 / .9	18.7	10*
2811 4062 05	40 / 1½	36.4 / 1.4	18.7	5*
2811 5062 04	50 / 2	46 / 1.8	18.7	4*
2811 6062 03	63 / 2½	59 / 2.3	18.7	3*
2811 7062 02	80 / 3	76 / 3	18.7	2*
2811 8062 00	100 / 4	97 / 3.88	18.7	1*
2811 9062 06	158 / 6	151 / 5.71	18.7	6*

\* Special Order Only. P.O. Required, 6 - 8 week lead time, Ordered / shipped in bundle quantity



## S-bends



PART NUMBER	OFFSET (max inch)	OUTSIDE Ø (mm / inch)	INSIDE Ø (mm / inch)	LENGTH (inch)	PACK QTY
2811 1067 05	6	20 / ¾	17.4 / .7	17.25	5
2811 2067 05	6	25 / 1	22.2 / .9	18	5

## Clip, Brackets and Support



Pipe Clip PF Series (Imperial)

PART NUMBER	AIRnet Ø (mm / inch)	THREAD TYPE	PACK QTY
2811 1122 20	20 / ¾	1/4 UNC	20
2811 2122 20	25 / 1	1/4 UNC	20
2811 4122 20	40 / 1½	1/4 UNC	20
2811 5122 20	50 / 2	1/4 UNC	20
2811 6122 20	63 / 2½	5/16 UNC	20
2811 7122 20	80 / 3	5/16 UNC	20
1312 1013 61	100 / 4	M8 - ¾ UNC	1
2810 9122 10	158 / 6	M10 - ¾ UNC	10



Pipe Clip Spacer PF Series

PART NUMBER	FIT SIZES	METRIC	PACK QTY
2811 0027 10	¾ - 1	20 - 25	10
2811 0127 10	1½ - 2	40 - 50	10
2811 0227 10	2½ - 3	63 - 80	10
2810 0327 10	4	100	10

## Threaded Rod Adapters



PART NUMBER	DIAMETER (inch)	PACK QTY
2811 0172 00	¼ - ¾	1
2811 0272 00	¾ - 1½	1

# Aluminum

## Straight Connection



Equal Union  
PF Series



Equal Union  
Black Series

PART NUMBER	OUTSIDE Ø (mm / inch)	DIMENSIONS (inch)			PACK QTY
		L	W	H	
2811 1002 80	20 / ¾	5	1.4	1.4	1
2811 2002 80	25 / 1	4.9	1.8	1.8	1
2811 4002 80	40 / 1½	7.8	2.8	2.8	1
2811 5002 80	50 / 2	8.9	3.5	3.5	1
2811 6002 80	63 / 2½	6.29	3.5	3.5	1
2811 7002 80	80 / 3	7.9	4.4	4.4	1



Equal Union Large Sizes

PART NUMBER	OUTSIDE Ø (mm / inch)	DIMENSIONS (inch)			PACK QTY
		L	W	H	
2810 8802 00	100 / 4	5.39	5.43	7.1	1
2810 9002 00	158 / 6	4.52	7.59	8.95	1



Reducing Union PF Series

PART NUMBER	OUTSIDE Ø (mm / inch)	REDUCED DIAMETER (mm / inch)	DIMENSIONS (inch)			PACK QTY
			L	W	H	
2811 2121 80	25 / 1	20 / ¾	5.22	1.71	1.8	1
2811 4221 80	40 / 1½	25 / 1	6.82	2.66	2.8	1
2811 5421 80	50 / 2	40 / 1½	8.81	2.91	3.5	1



Reducing Union Black Series

PART NUMBER	OUTSIDE Ø (mm / inch)	REDUCED DIAMETER (mm / inch)	DIMENSIONS (inch)			PACK QTY
			L	W	H	
2811 6521 81	63 / 2½	50 / 2	7.28	3.5	3.5	1
2811 7621 81	80 / 3	63 / 2½	7.51	4.44	3.07	1



Reducing Union Large Sizes

PART NUMBER	OUTSIDE Ø (mm / inch)	REDUCED DIAMETER (mm / inch)	DIMENSIONS (inch)			PACK QTY
			L	W	H	
2810 8721 00	100 / 4	80 / 3	11.97	4	4	1
2810 9821 00	158 / 6	100 / 4	10.59	6	6	1

\*Unions required

## Elbow



90° Elbow PF Series

PART NUMBER	OUTSIDE Ø (mm / inch)	DIMENSIONS (inch)			PACK QTY
		L	W	H	
2811 1003 80	20 / ¾	3.24	1.47	0.98	1
2811 2003 80	25 / 1	3.76	1.67	1.18	1
2811 4003 80	40 / 1½	5.84	2.67	1.97	1
2811 5003 80	50 / 2	7.33	3.30	2.56	1



90° Elbow Black Series  
and Large Sizes

PART NUMBER	OUTSIDE Ø (mm / inch)	DIMENSIONS (inch)			PACK QTY
		L	W	H	
2811 6003 80	63 / 2½	6.20	3.50	–	1
2811 7003 80	80 / 3	7.74	4.45	–	1
2810 8003 00	100 / 4	9.92	–	7.95	1
2810 9003 00	158 / 6	9.78	–	6.69	1



45° Elbow PF Series

PART NUMBER	OUTSIDE Ø (mm / inch)	DIMENSIONS (inch)			PACK QTY
		L	W	H	
2811 1004 80	20 / ¾	4.29	1.47	0.78	1
2811 2004 80	25 / 1	5.03	1.71	0.98	1
2811 4004 80	40 / 1½	7.66	2.67	1.57	1
2811 5004 80	50 / 2	9.48	3.30	1.97	1



45° Elbow Black Series  
and Large Sizes

PART NUMBER	OUTSIDE Ø (mm / inch)	DIMENSIONS (inch)			PACK QTY
		L	W	H	
2811 6004 80	63 / 2½	7.95	3.50	–	1
2811 7004 80	80 / 3	9.68	4.42	–	1
2810 8004 00	100 / 4	11.29	–	5.80	1
2810 9004 00	158 / 6	11.22	–	5.29	1

\* 4" & 6" Elbows require separate Unions.

# Aluminum

## Tee



*Equal Tee PF Series*

PART NUMBER	OUTSIDE Ø (mm / inch)	DIMENSIONS (inch)			PACK QTY
		L	W	H	
2811 1005 80	20 / ¾	5.02	3.25	1.41	1
2811 2005 80	25 / 1	5.82	3.76	1.71	1
2811 4005 80	40 / 1½	9.01	5.84	2.67	1
2811 5005 80	50 / 2	11.38	7.33	3.30	1



*Equal Tee Black Series and Large Sizes*

PART NUMBER	OUTSIDE Ø (mm / inch)	DIMENSIONS (inch)			PACK QTY
		L	W	H	
2811 6005 80	63 / 2½	8.89	6.18	3.50	1
2811 7005 80	80 / 3	11.05	7.74	4.44	1
2810 8005 00	100 / 4	11.97	7.95	–	1
2810 9005 00	158 / 6	12.59	9.40	–	1

\* 4" & 6" Tees require separate Unions.



*Reducing Tee PF Series*

PART NUMBER	OUTSIDE Ø (mm / inch)	REDUCED DIAMETER (mm / inch)	DIMENSIONS (inch)			PACK QTY
			L	W	H	
2811 2107 80	25 / 1	20 / ¾	5.82	3.56	2.66	1
2811 4107 80	40 / 1½	20 / ¾	9.01	4.43	2.66	1
2811 4207 80	40 / 1½	25 / 1	9.01	4.64	2.66	1
2811 5107 80	50 / 2	20 / ¾	11.37	5.14	3.30	1
2811 5207 80	50 / 2	25 / 1	11.37	5.35	3.30	1
2811 5407 80	50 / 2	40 / 1½	11.89	5.96	3.50	1
2811 6507 81*	63 / 2½	50 / 2	8.89	9.17	3.50	1



*Reducing Tee Black Series Large Sizes*

PART NUMBER	OUTSIDE Ø (mm / inch)	THREAD SIZE (mm / inch)	DIMENSIONS (inch)			PACK QTY
			L	W	H	
2811 7607 80	80 / 3	63 / 2½	11.06	7.52	4.44	1
2810 8507 00	100 / 4	50 / 2	11.97	8.94	–	1
2810 8607 00	100 / 4	63 / 2½	11.97	8.94	–	1
2810 8707 00	100 / 4	80 / 3	11.97	9.92	–	1
2810 9707 00	158 / 6	80 / 3	12.59	12.21	–	1
2810 9807 00	158 / 6	100 / 4	12.59	11.05	–	1

\* 4" & 6" Tees require separate Unions.

## Reducing Tee



*Threaded Reducing Tee  
PF Series (NPT)*

PART NUMBER	OUTSIDE Ø (mm / inch)	REDUCING DIA. (inch-Female)	DIMENSIONS (inch)			PACK QTY
			L	W	H	
2811 0009 80	20 / ¾	NPT ¾	5.02	0.98	3.40	1
2811 1009 80	20 / ¾	NPT ½	5.02	0.98	3.40	1
2811 2009 80	25 / 1	NPT ½	5.82	1.10	3.73	1
2811 2109 80	25 / 1	NPT ¾	5.82	1.10	3.73	1
2811 4209 80	40 / 1½	NPT 1	9.01	1.18	5.47	1
2811 5209 80	50 / 2	NPT 1	11.38	1.18	5.59	1



*Threaded Reducing Tee  
Black Series and Large Sizes*

PART NUMBER	OUTSIDE Ø (mm / inch)	REDUCING DIA. (inch-Female)	DIMENSIONS (inch)			PACK QTY
			L	W	H	
2811 6509 80	63 / 2½	NPT 2	8.89	1.88	6.33	1
2811 7609 80	80 / 3	NPT 2½	11.06	–	7.55	1
2811 7709 80	80 / 3	NPT 3	11.06	1.65	7.83	1
2810 8209 00	100 / 4	NPT 1	11.97	1.24	5.93	1
2810 9209 00	158 / 6	NPT 1	12.59	0.98	8.12	1

4" and 6" Unions required

## Pipe End Adapter



*Black Series*

PART NUMBER	OUTSIDE Ø (mm / inch)	INSIDE Ø (mm / inch)	ADAPTS (lg/sm mm)	PACK QTY
2811 6462 80	63 / 2½	40 / 1½	63 - 40	1
2811 7462 80	80 / 3	40 / 1½	80 - 40	1
2811 7562 80	80 / 3	50 / 2	80 - 50	1



# Aluminum

## End Cap



*PF Series*

PART NUMBER	OUTSIDE Ø (mm / inch)	DIMENSIONS (inch)			PACK QTY
		L	W	H	
2811 1006 80	20 / ¾	2.31	1.47	1.53	1
2811 2006 80	25 / 1	2.71	1.71	1.73	1
2811 4006 80	40 / 1½	3.91	2.67	2.48	1
2811 5006 80	50 / 2	4.70	3.30	3.07	1



*Black Series*

*Large Sizes*

PART NUMBER	OUTSIDE Ø (mm / inch)	DIMENSIONS (inch)			PACK QTY
		L	W	H	
2811 6006 80*	63 / 2½	4.09	3.77	3.09	1
2811 7006 80*	80 / 3	4.29	4.52	3.81	1
2810 9816 00**	100 & 158 / 4 & 6	10.59	10.00	10.00	1

Note: 2810 9816 00 has 4" / 6" on same fitting. Flip for required size.

## AIRnet Valves



*Valves PF Series*

PART NUMBER	OUTSIDE Ø (mm / inch)	DIMENSIONS (inch)			PACK QTY
		L	W	H	
2811 1051 81	20 / ¾	5.15	4.72	2.87	1
2811 2051 81	25 / 1	5.09	4.72	3.26	1
2811 4051 81	40 / 1½	9.29	6.22	6.14	1
2811 5051 81	50 / 2	9.29	6.22	6.14	1



*Threaded Valves  
PF Series (NPT)*

PART NUMBER	OUTSIDE Ø (mm / inch)	NPT-OUTLET	DIMENSIONS (inch)			PACK QTY
			L	W	H	
2811 1153 81	20 / ¾	NPT ¾	3.65	4.72	3.33	1
2811 2253 81	25 / 1	NPT 1	4.40	4.72	3.49	1
2811 4453 81	40 / 1½	NPT 1½	6.00	6.22	4.50	1
2811 5553 81	50 / 2	NPT 2	7.00	6.22	5.12	1



*Lock Out/Tag Out-  
PF Series\**

PART NUMBER	FITS VALVES	SIZES (INCH)	DESCRIPTION	PACK QTY
2811 1251 00	20 - 25 mm	¾ - 1	Locking	*
2811 4551 00	40 - 50 mm	1½ - 2	Locking	*

\* Special Order Only

## Butterfly Valves



*Black Series-Pipe to Pipe  
Assemblies*

PART NUMBER	OUTSIDE Ø (mm / inch)	DIMENSIONS (inch)			PACK QTY
		L	W	H	
2811 6051 80*	63 / 2½	8.50	8.34	12.81	1 assy.
2811 7051 80*	80 / 3	9.72	8.34	13.34	1 assy.

\* Flanges on the assembly



*Black Series-Pipe to NPT  
Female Threaded*

PART NUMBER	OUTSIDE Ø (mm / inch)	NPT-OUTLET	DIMENSIONS (inch)			PACK QTY
			L	W	H	
2811 6653 80	63 / 2½	NPT 2½	6.69	8.34	12.83	1
2811 7753 80	80 / 3	NPT 3	7.48	8.34	13.34	1



*4" & 6" Flanged Valve  
Body Only\**

PART NUMBER	OUTSIDE Ø (mm / inch)	DIMENSIONS (inch)			PACK QTY
		L	W	H	
1606 4561 04**	100 / 4	2.06	-	14.96	1
2810 9051 00**	158 / 6	2.44	-	17.75	1

\*\* Requires Flanges

# Aluminum

## Flanges



*Flanges ANSI Black Series and Large*

PART NUMBER	OUTSIDE Ø (mm / inch)	DIMENSIONS & WEIGHT			PACK QTY
		L	W	Wt.(lb)	
2811 6154 80	63 / 2½	5.00	7.08	9.55	1 assy.
2811 7154 80	80 / 3	5.27	7.48	11.44	1 assy.
2810 8254 00	100 / 4	5.19	9.00	6.05	1
2810 9154 00	158 / 6	5.19	11.22	11.78	1

4" and 6" Unions required



*Flat Gasket (Flange Accessory)*

PART NUMBER	SIZE (mm / inch)	DESCRIPTION	Ø (mm)	H (mm)	PACK QTY
0650 0100 16	63 / 2½	Flat Gasket	63	93	1
0650 1001 27	90 / 3½	Flat Gasket	90	117	1
0650 0100 06	100 / 4	Flat Gasket	100	132	1
0650 1001 25	158 / 6	Flat Gasket	158	132	1

## Quickdrop



*Quickdrop PF Series*

PART NUMBER	OUTSIDE Ø (mm / inch)	REDUCED DIAMETER (mm / inch)	DIMENSIONS (inch)			PACK QTY
			L	W	H	
2811 2110 80	25 / 1	20 / ¾	4.05	2.51	1.47	1
2811 4110 80	40 / 1½	20 / ¾	4.68	3.8	1.88	1
2811 4210 80	40 / 1½	25 / 1	4.92	3.26	1.88	1
2811 5110 80	50 / 2	20 / ¾	5.15	3.50	1.83	1
2811 5210 80	50 / 2	25 / 1	5.35	3.70	1.83	1
2811 6110 80	63 / 2½	20 / ¾	5.62	4.09	1.91	1
2811 6210 80	63 / 2½	25 / 1	5.82	4.33	1.91	1
2811 7110 80	80 / 3	20 / ¾	6.41	4.76	1.90	1
2811 7210 80	80 / 3	25 / 1	6.61	5.00	1.90	1



*Threaded Quick Drops PF Series (NPT)*

PART NUMBER	OUTSIDE Ø (mm / inch)	REDUCED DIAMETER (inch-Female)	DIMENSIONS inch)			PACK QTY
			L	W	H	
2811 2012 80	25 / 1	NPT ½	4.21	2.55	1.49	1
2811 4012 80	40 / 1½	NPT ½	4.88	3.11	1.88	1
2811 4112 80	40 / 1½	NPT ¾	4.88	3.26	1.88	1
2811 5012 80	50 / 2	NPT ½	5.31	3.54	1.83	1
2811 5112 80	50 / 2	NPT ¾	5.31	3.74	1.83	1
2811 6012 80	63 / 2½	NPT ½	5.82	4.13	1.91	1
2811 6112 80	63 / 2½	NPT ¾	5.82	4.33	1.91	1
2811 7012 80	80 / 3	NPT ½	6.57	4.80	1.90	1
2811 7112 80	80 / 3	NPT ¾	6.57	5.00	1.90	1

# Aluminum

## NPT Threaded Connectors



*Aluminum Nipple Socket  
PF Series (NPT-M)*

PART NUMBER	AIRnet Ø (mm / inch)	THREAD SIZE (inch)	DIMENSIONS (inch)			PACK QTY
			L	W	H	
2811 1018 80	20 / ¾	NPT ½	2.90	1.47	1.33	1
2811 1118 80	20 / ¾	NPT ¾	2.90	1.47	1.33	1
2811 2118 80	25 / 1	NPT ¾	3.38	1.71	1.53	1
2811 2218 80	25 / 1	NPT 1	3.38	1.71	1.53	1
2811 4318 80	40 / 1½	NPT 1¼	5.02	2.67	1.77	1
2811 4418 80	40 / 1½	NPT 1½	5.02	2.67	1.77	1
2811 5418 80	50 / 2	NPT 1½	5.55	3.30	2.17	1
2811 5518 80	50 / 2	NPT 2	5.55	3.30	2.17	1



*Aluminum Nipple Socket  
Black Series (NPT-Male)*

PART NUMBER	AIRnet Ø (mm / inch)	THREAD SIZE (inch)	DIMENSIONS (inch)			PACK QTY
			L	W	H	
2811 6518 80	63 / 2½	NPT 2	4.84	3.50	3.77	1
2811 6618 80	63 / 2½	NPT 2 ½	5.00	3.50	3.38	1
2811 7618 80	80 / 3	NPT 2 ½	5.15	4.45	3.81	1
2811 7718 80	80 / 3	NPT 3	5.27	4.45	3.81	1

## Spare Nuts



*PF Series*

PART NUMBER	AIRnet Ø (mm / inch)	DESCRIPTION	PACK QTY
2811 1001 12	20 / ¾	Replacements	12
2811 2001 12	25 / 1	Replacements	12
2811 4001 12	40 / 1½	Replacements	12
2811 5001 12	50 / 2	Replacements	12



*Black Series*

PART NUMBER	AIRnet Ø (mm / inch)	DESCRIPTION	PACK QTY
2811 6060 06	63 / 2 ½	Replacements	6
2811 7060 06	80 / 3	Replacements	6

# Aluminum

## Adaptor Union



*PF Series (NPT-Female)*

PART NUMBER	AIRnet Ø (mm / inch)	THREAD SIZE (inch)	DIMENSIONS (inch)			PACK QTY
			L	W	H	
2811 1114 80	20 / ¾	¾	5.18	1.73	1.33	1
2811 2214 80	25 / 1	1	6.46	2.69	1.53	1
2811 4414 80	40 / 1½	1½	8.64	2.67	2.95	1
2811 5514 80	50 / 2	2	9.24	3.30	2.95	1



*Black Series (NPT-Female)*

PART NUMBER	AIRnet Ø (mm / inch)	THREAD SIZE (inch-Female)	DIMENSIONS (inch)			PACK QTY
			L	W	H	
2811 6614 80	63 / 2½	2½	7.8	4.3	4.3	1
2811 7714 80	80 / 3	3	9.9	5.1	5.1	1



*KIT- Reductions PF and Black Series*

PART NUMBER	AIRnet Ø (inch)	THREAD SIZE (inch)	PACK QTY
2811 0020 80	20 / ¾	NPT ¾	1
2811 1020 80	20 / ¾	NPT ½	1
2811 2020 80	25 / 1	NPT ½	1
2811 2120 80	25 / 1	NPT ¾	1
2811 4220 80	40 / 1½	NPT 1	1
2811 5420 80	50 / 2	NPT 1½	1
2811 5520 80	50 / 2	NPT 2	1
2811 6520 80	63 / 2.5	NPT 2	1
2811 6620 80	63 / 2.5	NPT 2 ½	1
2811 7620 80	80 / 3	NPT 2 ½	1
2811 7720 80	80 / 3	NPT 3	1

## Spare Parts



*O-Rings*

PART NUMBER	AIRNET Ø (mm)	QUICK DROP INNER SEAL	PACK QTY
2811 2065 10	25	Contour	10
2811 4065 10	40-50	Contour	10
2811 6065 10	63-80	Standard O-Rings	10



## Hex Nipples – NPT Connectors



*NPT Male-to-Male Connectors*

PART NUMBER	THREAD SIZE (inch)	PACK QTY
2811 0077 00	½	1
2811 1177 00	¾	1
2811 2277 00	1	1
2811 4477 00	1 ½	1
2811 5577 00	2	1



*NPT Female-to-Female Connectors*

PART NUMBER	THREAD SIZE (mm / inch)	PACK QTY
2811 0079 00	15 / ½	1
2811 1179 00	20 / ¾	1
2811 2279 00	25 / 1	1
2811 3379 00	32 / 1 ¼	1
2811 4479 00	40 / 1 ½	1
2811 5579 00	50 / 2	1

## Wall Mounted Manifolds



*Wall Mounted Single-Port and 3-Port PF Series (NPT)*

PART NUMBER	AIRNET Ø (mm / inch)	THREADED OUTLET Ø (inch)	PACK QTY
2811 1024 80	20 / ¾	½	1
2811 2024 80	25 / 1	½	1
2811 1041 80	20 / ¾	½	1
2811 2041 80	25 / 1	½	1



*Wall Mounted 6-Port PF Series (NPT)*

PART NUMBER	AIRNET Ø (mm / inch)	THREADED OUTLET Ø (inch)	PACK QTY
2811 1043 80	20 / ¾	½	1
2811 2043 80	25 / 1	½	1

# Accessories

## Flexible Hoses



(NPT Threaded)

PART NUMBER	DIAMETER	LENGTH (FT)	PACK QTY
1312 1009 50	¾" Straight	2.5	1
1312 1009 51	¾" Straight	5	1
1312 1009 52	1" Straight	2.5	1
1312 1009 53	1" Straight	5	1
1312 1009 54	1½" Straight	5	1
1312 1009 55	2" Straight	5	1

## Straight Ends

PART NUMBER	DIAMETER	LENGTH (FT)	PACK QTY
2810 1057 00	¾" Female-Female	2.5	*
2810 2057 00	1" Female-Female	2.5	*
2810 1157 00	¾" Female-Female	4.9	*
2810 2157 00	1" Female-Female	4.9	*
2810 4157 00	1½" Female-Female	4.9	*
2810 5157 00	2" Female-Female	4.9	*

\* Special Order Only

## Elbow Ends

PART NUMBER	DIAMETER	LENGTH (FT)	PACK QTY
2810 4057 00	1½" Female-Female	3.33	*
2810 5057 00	2" Female-Female	3.33	*

\* Special Order Only

## Flange Ends

PART NUMBER	DIAMETER	LENGTH (FT)	BOLT PATTERN	PACK QTY
2810 6155 00	2 ½" Flange-Straight	4.9	5.7"	*
2810 6055 00	3" Flange-Elbow	3.3	5.7"	*
2810 7155 00	3" Flange-Straight	4.9	6.3"	*
2810 7055 00	3" Flange-Elbow	6.2	6.3"	*

\* Special Order Only

## Demo Boxes



PART NUMBER	DESCRIPTION	DIAMETER (mm)	PACK QTY
2811 0046 00	AIRnet Kit Box	All Sizes	1
2810 0846 00	AIRnet Kit Box	All Sizes	1

## Labels

PRESSURE

VACUUM

PART NUMBER	DESCRIPTION	DIMENSIONS (inch)	PACK QTY
2811 8067 05	Pressure Label	All Sizes	5
2811 8167 05	Vacuum Label	All Sizes	5

## Conductivity Strip Kits



PART NUMBER	AIRnet Ø (mm / inch)	TYPE	PACK QTY
2811 1002 90	20 / ¾	Equal Socket	5
2811 4002 90	40 / 1½	Equal Socket	5
2811 5002 90	50 / 2	Equal Socket	5
2811 1003 90	20 / ¾	90°	5
2811 2003 90	25 / 1	90°	5
2811 4003 90	40 / 1½	90°	5
2811 5003 90	50 / 2	90°	5
2811 1004 90	20 / ¾	45°	5
2811 2004 90	25 / 1	45°	5
2811 4004 90	40 / 1½	45°	5
2811 5004 90	50 / 2	45°	5
2811 1005 90	20 / ¾	Tee	5
2811 2005 90	25 / 1	Tee	5
2811 4005 90	40 / 1½	Tee	5
2811 5005 90	50 / 2	Tee	5

## Hanging Hardware



Available upon request

Needed only in ATEX applications or potentially explosive environments.  
MUST be Special Ordered from Airpower (Belgium); 4 - 6 week lead time.

## Screw Beam Clamp



PART NUMBER	DESCRIPTION QTY	DIMENSIONS (inch)	PACK
1310 0744 82	Screw Beam Clamp	¼"	1
1310 0744 83	Screw Beam Clamp	⅜"	1
2810 0036 10	Screw Beam Clamp	⅝"	10

## Threaded Rod Standard

6 Foot (72 in)

PART NUMBER	DESCRIPTION	DIMENSIONS (inch)	PACK QTY
1310 0742 50	¼" All Thread	¼" SAE	1
1310 0744 13	⅜" All Thread	⅜" SAE	1
1310 0736 18	⅝" All Thread	⅝" SAE	1

# Tools and Assembly

## AIRnet Spanner

*Spanner Wrench with Depth Gauge on Handle*



PART NUMBER	DESCRIPTION	SIZE (mm/inch)	PACK QTY
2811 1028 00	Spanner PF	20	1
2811 2028 00	Spanner PF	25	1
2811 4028 00	Spanner PF	40	1
2811 5028 00	Spanner PF	50	1
2811 6028 00	Spanner Black	63	1
2811 7028 00	Spanner Black	80	1
2811 6628 80	Spanner Black	63	1
2811 7728 80	Spanner Black	80	1
2810 8028 00	Belt Spanner	80	1

## Torque Wrench

*100-158mm Equal Unions*



PART NUMBER	DESCRIPTION	DIAMETER (mm)	PACK QTY
2811 6128 00	Torque Head 63 mm	63 / 2½"	1
2811 7128 00	Torque Head 80 mm	80 mm / 3"	1
2811 0028 80	Torque Wrench Handle	All Black / Large	1

## Pipe Marker

*All Sizes*



PART NUMBER	DIAMETER RANGE (mm)	PACK QTY
2811 0229 80	20-158	1

## Aluminum Pipe Cutter



*Manual Pipe Cutter*

PART NUMBER	ITEM DESCRIPTION	DIAMETER RANGE (mm)	PACK QTY
2810 0040 00	Pipe Cutter	20-63	1
2810 0140 00	Pipe Cutter	50-100	1
2810 0240 00	Pipe Cutter	100-158	1
2810 0340 00	Spare Cutting Wheel	20-40	1
2810 0440 00	Spare Cutting Wheel	50-158	1

## Electric Pipe Cutter



PART NUMBER	DESCRIPTION	DIAMETER (mm)	PACK QTY
2810 0640 80	Electric Saw	40-158 / 1 1/2" - 6"	1 Kit

## Aluminum Pipe Deburrer



PART NUMBER	DIAMETER RANGE (mm)	PACK QTY
2810 0041 00	20-25	1
2810 0141 00	20-50	1

## Hole Deburrer



PART NUMBER	ITEM DESCRIPTION	DIAMETER RANGE (mm/inch)	PACK QTY
2810 0042 00	Pen Deburrer	20-110	1
2810 0641 00	2-Handle Deburring Tool (SS)	76 - 108 / 2 3/4" - 4"	1

## Drill Bits

### Hole Saws



PART NUMBER	DESCRIPTION	DIAMETER (mm)	PACK QTY
2810 0143 00	For 1" Header	14 Actual	1
2810 0243 00	For 1 1/2" & Larger Headers	24 Actual	1



# Tools and Assembly

## Drill Bit Holder



PART NUMBER	DESCRIPTION	DIAMETER RANGE (mm)	PACK QTY
2810 0044 00	For All PF Series Drops	20-80	1

## L Key



PART NUMBER	DESCRIPTION	DIAMETER (mm)	PACK QTY
2811 0149 00	Allen / L Key	5	1

## Slide Fluid



PART NUMBER	SIZE	AMOUNT	PACK QTY
2810 0148 00	½ Liter	½ Litre Bottle	1
1312 1009 45	4-1 Liter	Four (4) Litre Bottles	1 case (4)
2810 0248 00	Tub - Pint	One Pint	1

*Lubricant*

## Complete Toolbox



PART NUMBER	DESCRIPTION	DIAMETER (mm)	PACK QTY
2811 0045 00	PF Series AIRnet Tool Box	20-50	1
2811 0245 00	Large Size AIRnet Tool Box	63-158	1

# Point of Use Accessories

## Hose Reels (Cox Brand)



PART NUMBER	ITEM DESCRIPTION	SIZE (inch)	PACK QTY
1310 0722 93	Open - 50'	¼"	1
1310 0722 94	Open - 50'	¾"	1
1310 0722 95	Open - 30'	¾"	1
1310 0723 73	Enclosed 50'	¼"	1
1310 0723 74	Enclosed 50'	¾"	1

## Hose Reels (AIRnet Brand)



PART NUMBER	ITEM DESCRIPTION	SIZE (INCH)	PACK QTY
2811 0856 12	Enclosed 12M	BSP ½"	1

\*Requires Adapter fittings BSP-NPT

## Automatic Condensate Drains



PART NUMBER	SPECIFICATION	SIZE (INCH)	DESCRIPTION	PACK QTY
2811 1083 00	¾" Inlet	20 / ¾"	5.7"	1
2811 2083 00	1" Inlet	25 / 1"	5.7"	1

## Pressure Regulator



PART NUMBER	SPECIFICATION	SIZE (INCH)	DESCRIPTION	PACK QTY
2811 1081 00	¾" I/O	20 / ¾"	Regulator Only	1
2811 2081 00	1" I/O	25 / 1"	Regulator Only	1

# Point of Use Accessories

## Filter-Regulators



PART NUMBER	SPECIFICATION	SIZE (INCH)	DESCRIPTION	PACK QTY
2811 1085 00	3/4" I/O	20 / 3/4"	F/R Combo	1
2811 2085 00	1" I/O	25 / 1"	F/R Combo	1

## Filter-Regulator-Lubricator



PART NUMBER	SPECIFICATION	SIZE (INCH)	DESCRIPTION	PACK QTY
2811 1087 00	3/4" I/O	20 / 3/4"	F/R/L Combo	1
2811 2087 00	1" I/O	25 / 1"	F/R/L Combo	1

## Replacement Filter Insert



PART NUMBER	DESCRIPTION	SIZE (INCH)	DESCRIPTION	PACK QTY
2811 0089 00	Element	5 MICRON	Replacement	1

## Spiral Hose



PART NUMBER	LENGTH	SIZES METRIC	DESCRIPTION	PACK QTY
2811 1083 00	5M / 16'	10mm *	Coil Hose #	1
2811 2083 00	10M / 32'	10mm *	Coil Hose #	1

\*Requires Adapter to NPT  
# 1/4 Quick Connect on one end

## Quick Connect Coupler



PART NUMBER	SPECIFICATION	SIZE (INCH) NPT	DESCRIPTION	PACK
2811 0198 00	1/2" M-F	1/2	Quick Connect	1
2811 0298 00	1/2" F-F	1/2	Quick Connect	1
2811 0398 00	1/4" M-M	1/4	Quick Connect	1
2811 0498 00	1/2" M-M	1/2	Quick Connect	1
2811 0598 00	1/2" F-M	1/2	Quick Connect	1

\* Special Order Only

## Safety Coupler



*(1/4" Body Style)*

PART NUMBER	DESCRIPTION	DIAMETER
1312 1009 41	ARO Profile - 1/4" Body Size	1/4" FNPT
1312 1009 42	ARO Profile - 1/4" Body Size	1/2" MNPT
1312 1009 46	Ind. Interchange - 1/4" Body	1/4" FNPT
1312 1009 47	Ind. Interchange - 1/4" Body	1/2" MNPT

New Point of Use items available for 2020!

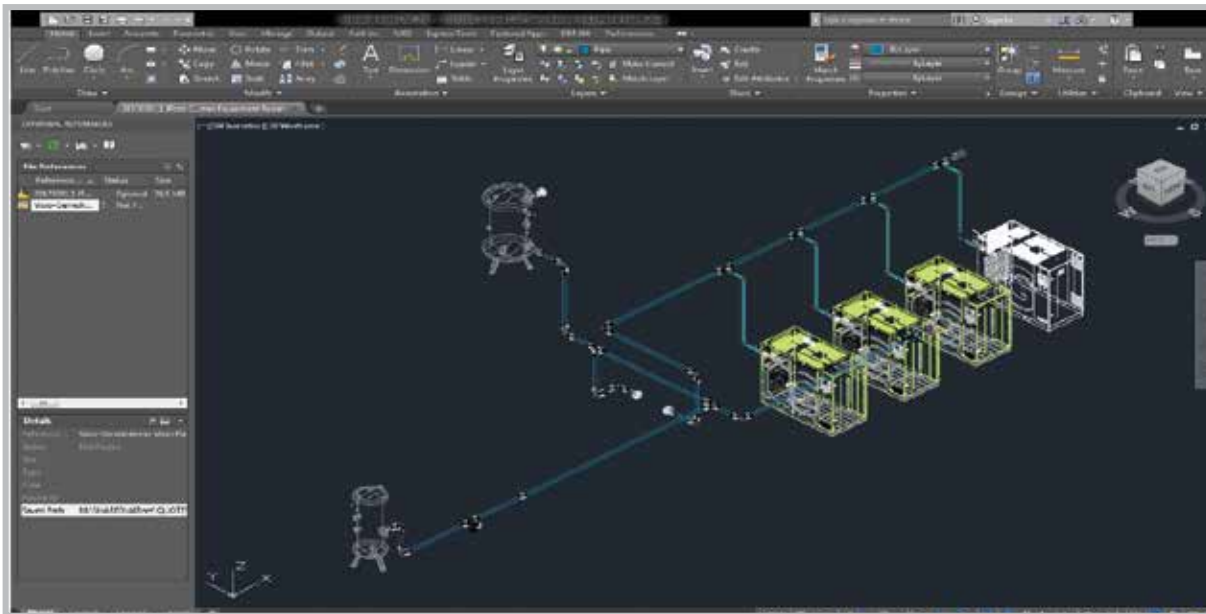
# Aluminum Design Requirements

## A Properly designed AIRnet system

- Guarantees the required pressure at the point of use with minimal pressure drop.
- Allows air flow from generation to point of use with maximum efficiency.
- Maintains contaminant free, high quality air to the downstream equipment and points of use over the lifetime of the system.
- Performs the installation with minimum downtime. The system can be pressurized immediately after assembly.
- Anticipates future requirements, and provides the necessary flexibility for future evolution.
- Reduces downtime, with the proper placement of valves that allows for isolation of areas for maintenance.

Have questions? Contact us at [www.airnet-system.com/en](http://www.airnet-system.com/en).

Fill in the Information Form and someone will contact you directly regarding Design and Quoting Services offered.





## Pre-Installation

### *What is the point of highest pressure drop?*

The point of the highest **pressure drop** is typically the furthest point of use in the system. It takes into account all the pressure drops along the path from the point of generation to the point of use.

A high pressure drop requires a higher loading pressure on the compressor compensating for the losses along the network.

A 2 psi increase in operating pressure results in a 1% increase in energy consumption. Pressure drops drastically increase the electric bill.

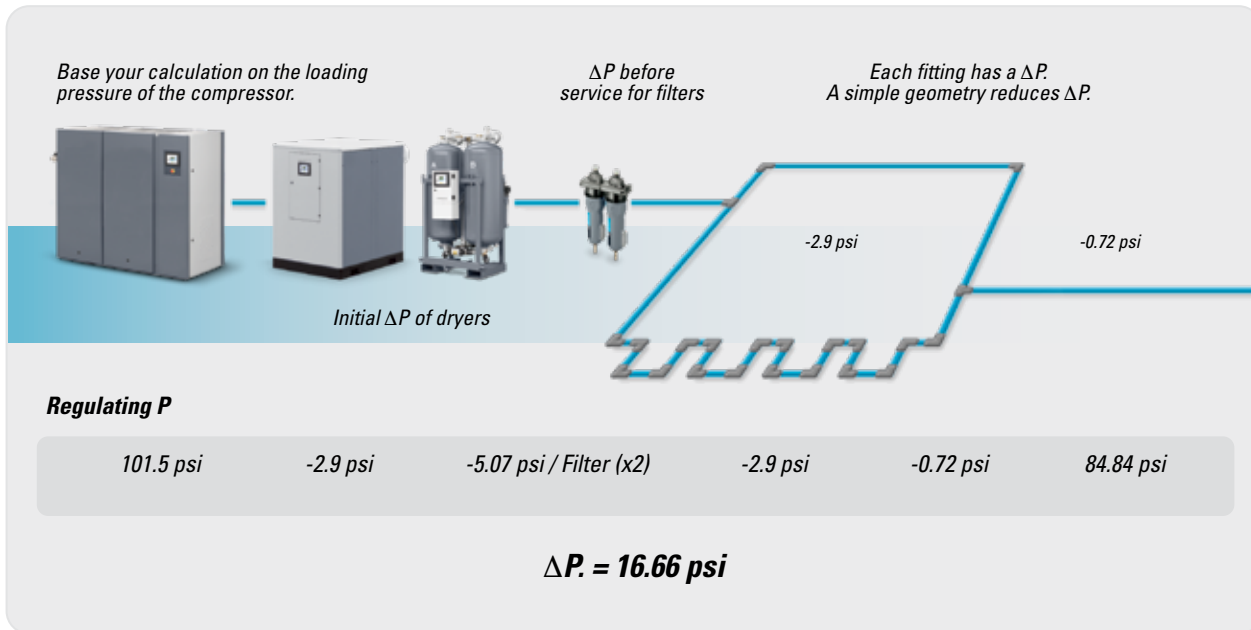
### *The pressure drop is influenced by various factors which can be classified from highest to lowest impact.*

- The pipes' inner diameter:  
Increasing the pipes' inner diameter reduces the pressure drop but increases the initial investment.
- Free air delivery:  
The air demand of all downstream equipment connected to the network.
- The friction factor:  
Related to the pipes' material. AIRnet pipe has a very low friction factor due to its smooth surface as opposed to galvanized pipes.
- The length of the network:  
The longer the network, the higher the pressure drop.
- The design:  
It is recommended to build a ring in order to reduce your pressure drop.
- Working pressure:  
When the working pressure is lower, the pressure drop increases.

A properly designed system takes all these factors into account. By sizing the pipe properly, using AIRnet pipe with its low friction factor, minimizing the length of pipe used, and designing a system that takes advantage of a ring design, you will be able to minimize the pressure drop throughout the network. This will allow you to set a narrow pressure band on your compressor, maximizing the efficiency of the system and greatly saving on energy consumption and cost.

# Aluminum Design Requirements

To evaluate the pressure drop in a typical installation



## Expansion Loops

Long, straight pipes can expand and contract due to temperature changes. To compensate, expansion loops are suggested. The total number of expansion loops depends on the total length of the straight line of pipe and the maximum temperature variation.

The following table clarifies the maximum possible straight distance vs. the temperature variation. Expansion loops are required when the maximum length of the straight line is exceeded.

$\Delta T$ (T MAX - T MIN)	(20 MM (3/4"))	25 MM (1")	40 MM (1 1/2")	50 MM (2")	63 MM (2 1/2")	80 MM (3")	100 MM (4")	158 MM (6")
9°F / 5°C	692 ft / 211 m	551 ft / 168 m	614 ft / 187 m	492 ft / 150 m	390 ft / 119 m	308 ft / 94 m	247 ft / 75 m	198 ft / 60 m
18°F / 10°C	522 ft / 159 m	417 ft / 127 m	463 ft / 141 m	371 ft / 113 m	295 ft / 90 m	233 ft / 71 m	186 ft / 57 m	148 ft / 45 m
36°F / 20°C	351 ft / 107 m	279 ft / 85 m	312 ft / 95 m	249 ft / 76 m	197 ft / 60 m	154 ft / 47 m	123 ft / 38 m	98 ft / 30 m
54°F / 30°C	262 ft / 80 m	210 ft / 64 m	233 ft / 71 m	187 ft / 57 m	148 ft / 48 m	118 ft / 36 m	94 ft / 29 m	75 ft / 23 m
72°F / 40°C	210 ft / 64 m	171 ft / 52 m	187 ft / 57 m	148 ft / 45 m	118 ft / 36 m	95 ft / 29 m	76 ft / 23 m	61 ft / 19 m

## Before Installation

### Evaluate network requirements

Contact Atlas Copco for help with requirements and pressure drop calculations [airnet.supportusa@us.atlascopco.com](mailto:airnet.supportusa@us.atlascopco.com)

**Pre-Quote Checklist**

Does customer have AutoCAD (.dwg) drawing on installation?

Parts only  Parts and labor

**Equipment**

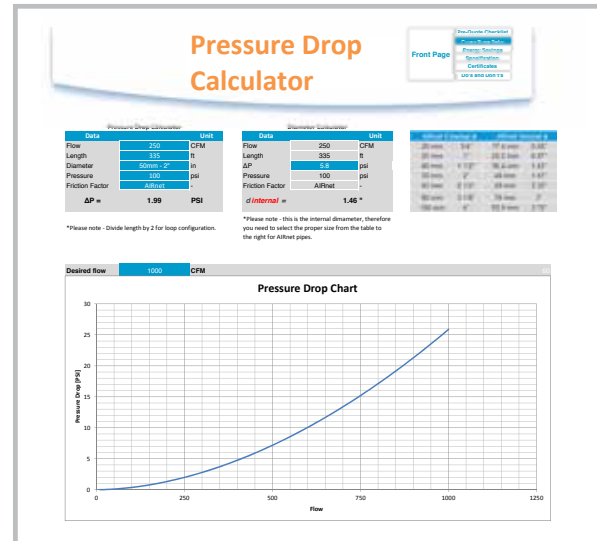
Compressor Model: [ ] Connection Size: [ ]  
 Max CFM: [ ] Loading Pressure: [ ]  
 Dryer: [ ] Connection Size: [ ]  
 Dryer Bypass: [ ] Connection Size: [ ]  
 Receivers: [ ] Connection Size: [ ]  
 Filters: [ ] Connection Size: [ ]  
 Filter Bypass: [ ] Connection Size: [ ]  
 Mist Eliminator: [ ] Connection Size: [ ]  
 Additional Equipment: [ ] Connection Size: [ ]  
 Explain: [ ]

**Building**

Ceiling Height: [ ] Explain: [ ]  
 Obstacles: [ ] Explain: [ ]

**System**

Isolation Valves: [ ] Quantity: [ ]  
 Quantity of Drops: [ ] Quick Drop Size: [ ]  
 How do drops terminate? [ ]  
 Ball Valve required for compressor: [ ]  
 Hanging equipment required: [ ]



Design your network so that the loading pressure at the compressor (101.5 - in the example above) is as close to the actual pressure needed at the point of use. Anticipate future needs that will result in a higher pressure drop (a pressure > 84.84 psi - in the example above).

An improperly designed network will have a high pressure drop and require you to increase the loading pressure. The higher the loading pressure the higher the energy bills. A more efficient alternative may be to use a larger size pipe, minimizing the pressure drop, when designing your system.

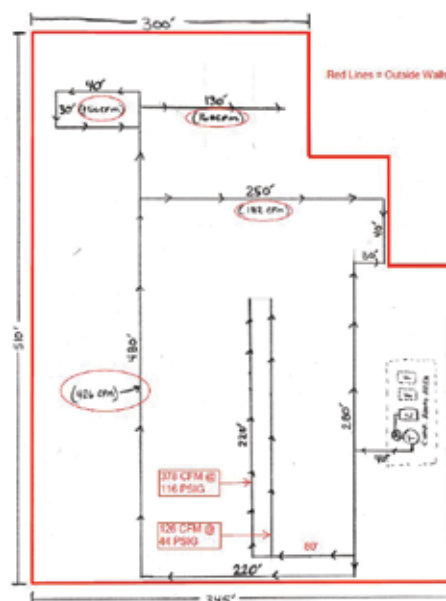
### Completing a "Pre-Quote Checklist"

This will help to define the sizing requirements based on the customer's layout, equipment, drops needed, and building / structure.

### Creating a network skeleton

- Main Ring
- Distribution Line
- Cross Ring Lines
- Drop Legs

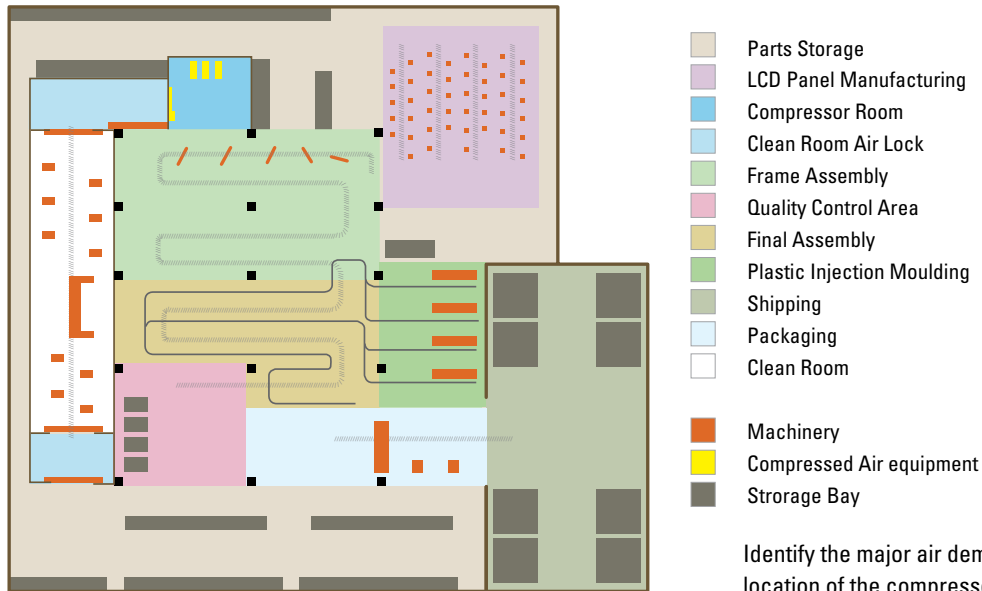
**!**  
The above data is used for example purposes only.



# Aluminum Design Requirements

## Designing Your System

*Using a drawing of the plant, identify the major air demand locations.*



Identify the major air demand locations, including the location of the compressor. Evaluate the consumption level of these locations to make a distinction between high volume consumers (requiring a distribution line) and low volume, point of use consumers (requiring a quick drop).

## System Pressurization

- System must be pressurized in progressive steps.
- Test pressure – Test for leaks or faulty connections by slowly and gradually raising the system pressure to 30 psi.
- Once any needed checks and adjustments are made, maintain system pressure at 30 psi to check again for any other needed points of improvement.
- Continue pressurizing the system, gradually raising the pressure 15 psi at a time, and repeat the checks, and make adjustments again for continuous improvement.
- When working pressure is reached, maintain for at least 10 minutes, while checking again for required improvements.
- After 48-96 hours, re-check all seals and fittings, taking any precautions and adjust connections accordingly.

## Finalize the bill of material

Tick off the below checklist to make sure nothing is forgotten.

### Do you have all necessary equipment for a smooth and successful installation?

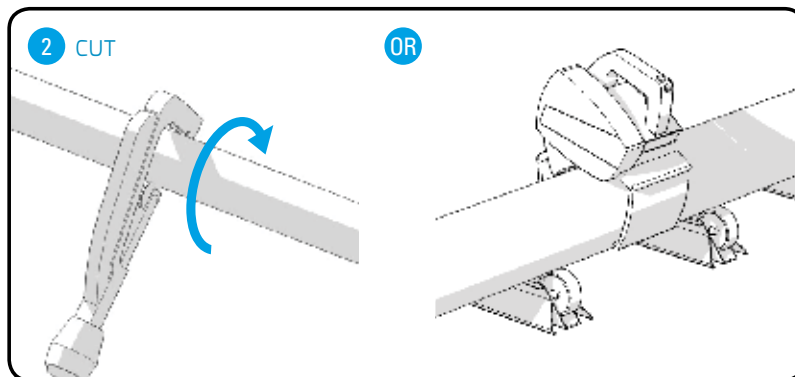
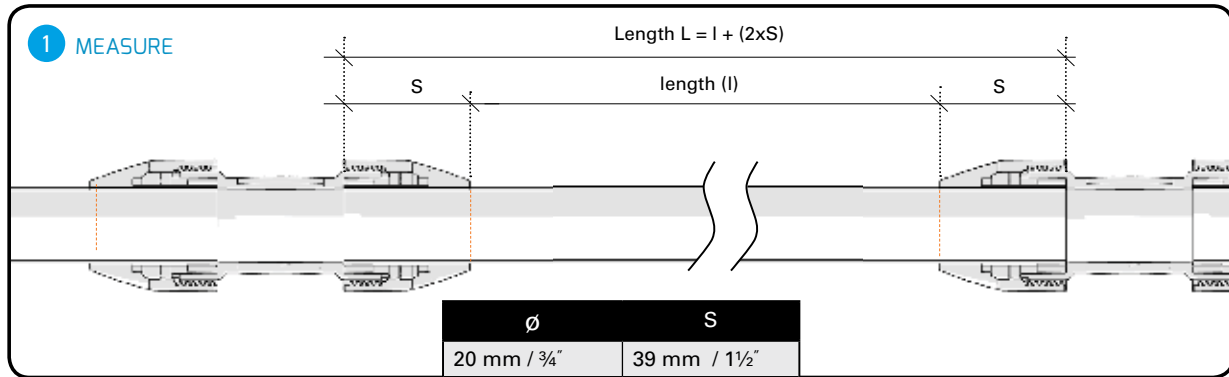
- AIRnet pipes
- AIRnet fittings
- Pipe clips
- S-bends to reduce the distance between the pipe and the wall
- Accessories, like hoses and valves
- Threaded connections to connect from and to the manufacturing process
- Bushing - reducing hardware
- Hanging brackets
- Assembly tools
- Lifting equipment
- Additional quick drops to keep on hand stock for possible future extensions

### Have you calculated the required assembly and hanging time?

Customer Quantity Data		Admin - TMC Engineering 2/20/18		Sales Manager Quotation #		per 80 Inch 2015002.1	
Description	Quantity	Dimension	Part Number	Qty	Unit Weight (kg)	Fig Qty	
return Pipes - Compressed air	30 ft (10.00 ft)	25 mm	2010 2000 01	87	1.60	01	
return Pipes - Compressed air	20 ft (10.00 ft)	40 mm	2010 4000 01	2	.60	01	
return Pipes - Compressed air	20 ft (10.00 ft)	50 mm	2010 5000 01	58	1.60	01	
S-bend	1	25 mm	2010 2001 00	3		05	
Pipe Clip	1	25 mm	2011 0122 20	8		01	
Pipe Clip	1	40 mm	2011 0122 20	1		01	
Pipe Clip	1	50 mm	2011 0122 20	8		01	
3/8" Threaded Rod Adapter	1	1/4" - 3/8"	2011 0172 00	118		01	
Equal Unions	1	25 mm PF Series	2011 2002 00	38		01	
Equal Unions	1	50 mm PF Series	2011 5002 00	58		01	
90° Elbow	1	25 mm PF Series	2011 2003 00	24		01	
90° Elbow	1	40 mm PF Series	2011 4003 00	8		01	
90° Elbow	1	50 mm PF Series	2011 5003 00	11		01	
Equal Tee	1	25 mm PF Series	2011 2004 00	6		01	
Equal Tee	1	40 mm PF Series	2011 4004 00	2		01	
Equal Tee	1	50 mm PF Series	2011 5004 00	2		01	
Reducing Tee - NPT	1	63 mm	2010 6500 00	4		01	
Quick Drop	1	80 mm	2010 7210 00	22		01	
Threaded Connector, Aluminum NPT male	1	40 mm PF Series	2011 4418 00	7		01	
AIRnet valve	1	25mm PF Series	2011 2005 01	1		01	
AIRnet valve	1	45mm PF Series	2011 4005 00	4		01	
Threaded AIRnet valve - NPT	1	25mm PF Series	2011 2250 01	55		01	
Threaded AIRnet valve - NPT	1	40mm PF Series	2011 4450 00	2		01	
End Cap	1	80 mm	2010 7008 00	3		01	
Flanges	1	80 mm	2010 7004 00	4		01	
Reducing Bushings	1	1 1/2" male	1010 0724 00	1		01	

# Aluminum Installation Guide

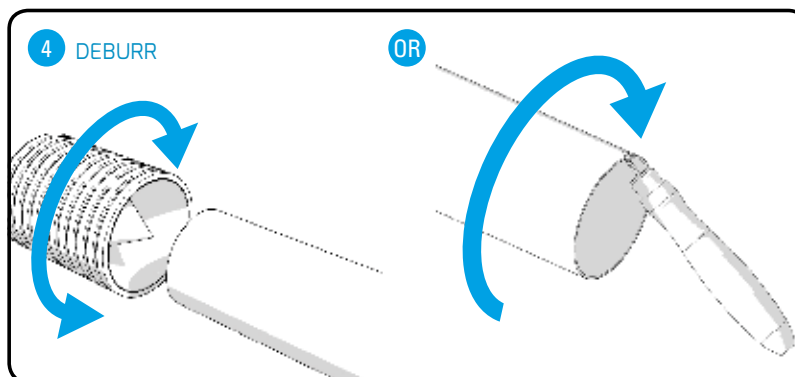
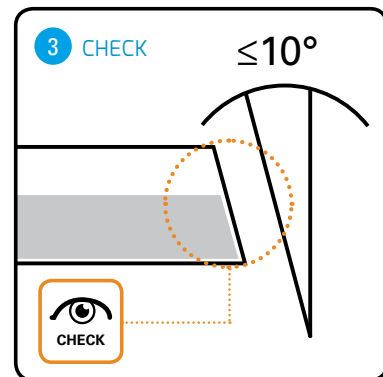
## DIAMETERS 20-50mm / 3/4" - 2" (PF Series)



Ø 20-63 mm 2810 0040 00

110/120V 2810 0640 80

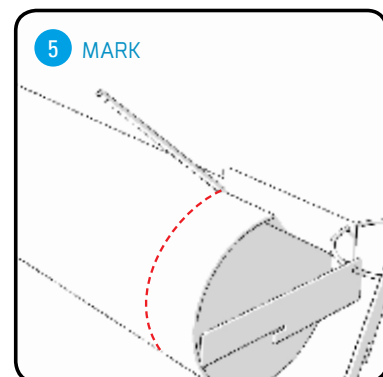
220/230V 2810 0540 80



Ø 20-50 mm 2810 0141 00

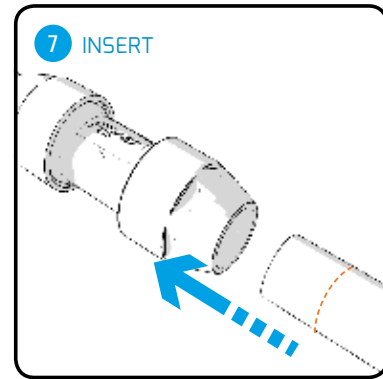
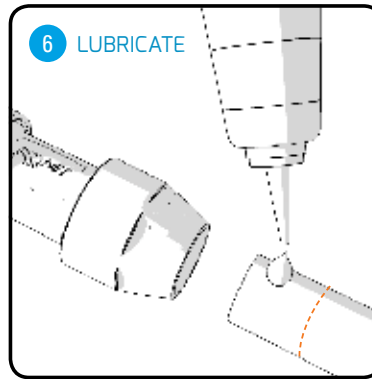
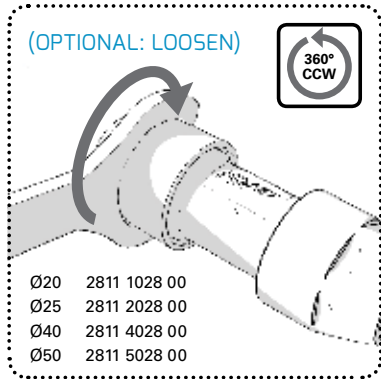
Heavy Duty 2810 0641 00

Light Duty 2810 0042 00

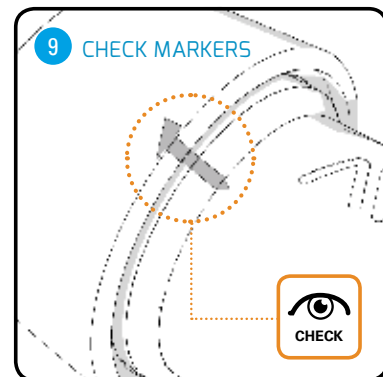
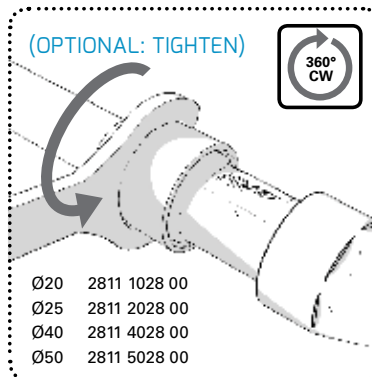
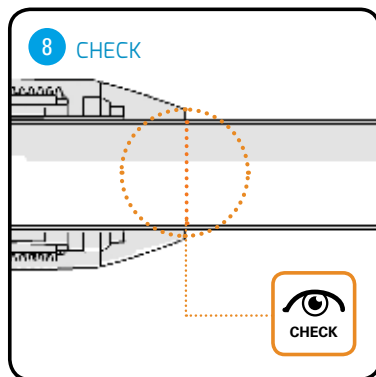


ALL 2811 0229 80

## DIAMETERS 20-50mm / 3/4" - 2" (PF Series)



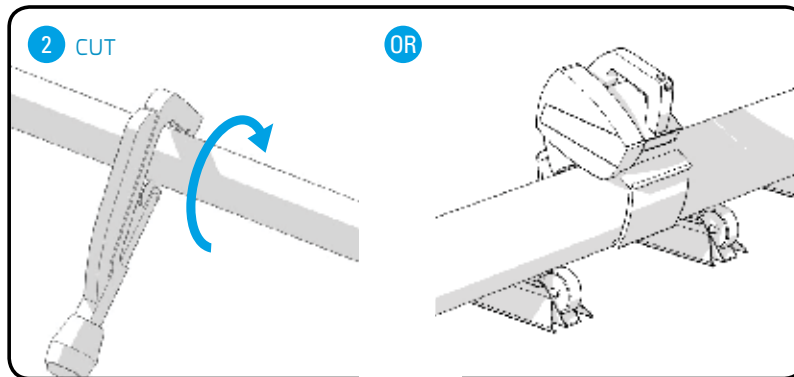
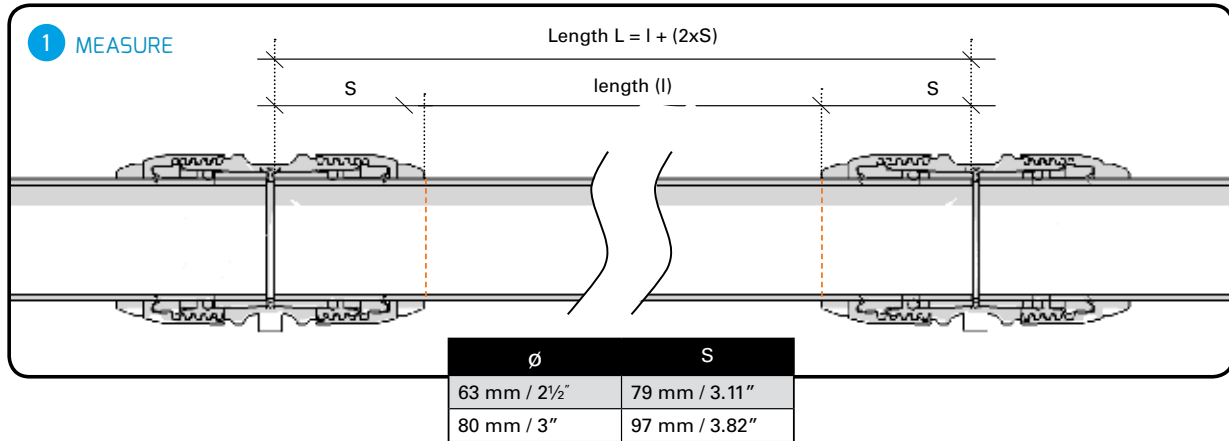
ALL 2810 0148 00





# Aluminum Installation Guide

## Diameters 63-80mm 2 1/2" - 3" (Black Series)

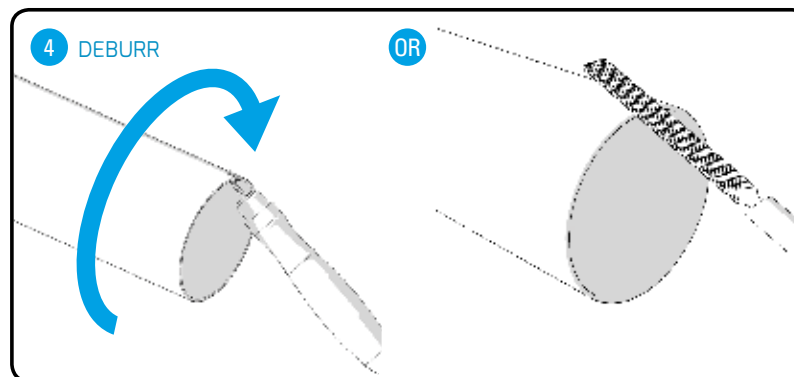
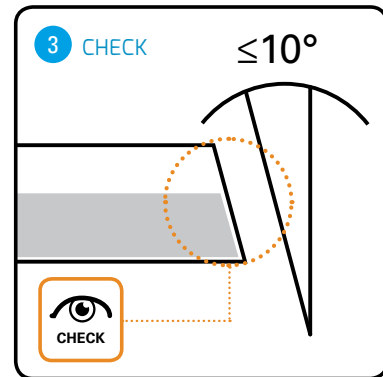


$\phi$  20-63 mm 2810 0040 00

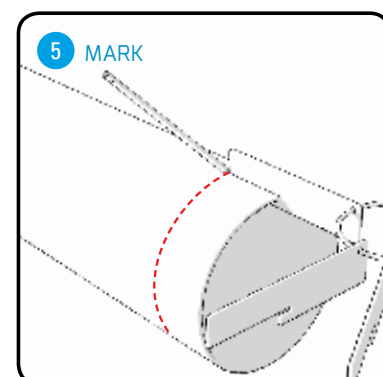
110/120V 2810 0640 80

$\phi$  40-100 mm 2810 0140 00

220/230V 2810 0540 80

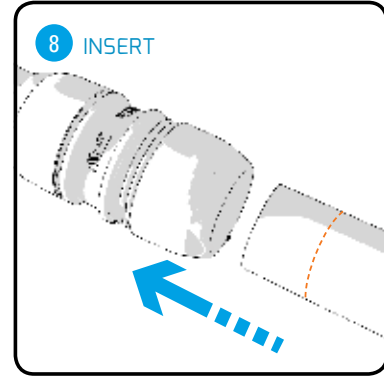
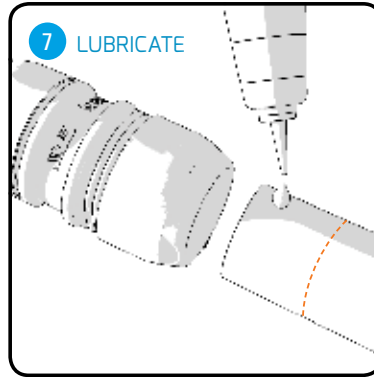
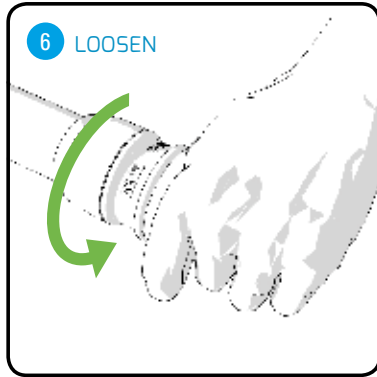


ALL 2810 0641 00

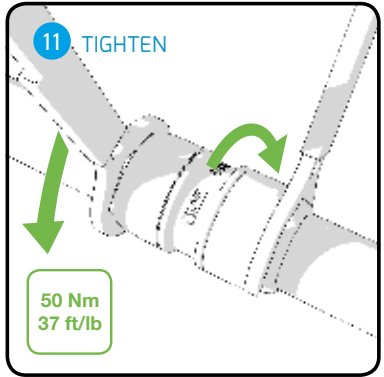
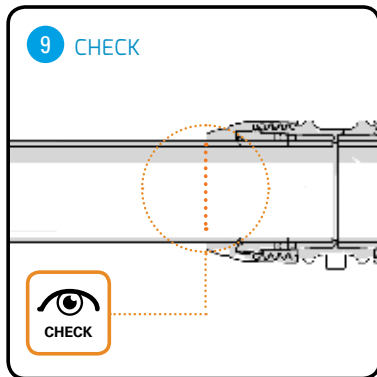


ALL 2811 0229 80

## Diameters 63-80mm 2 1/2" - 3" (Black Series)



ALL 2810 0148 00



Torque wrench 2811 0028 80

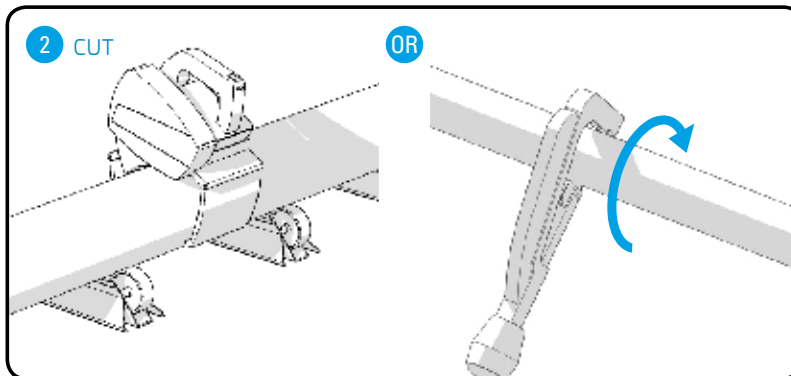
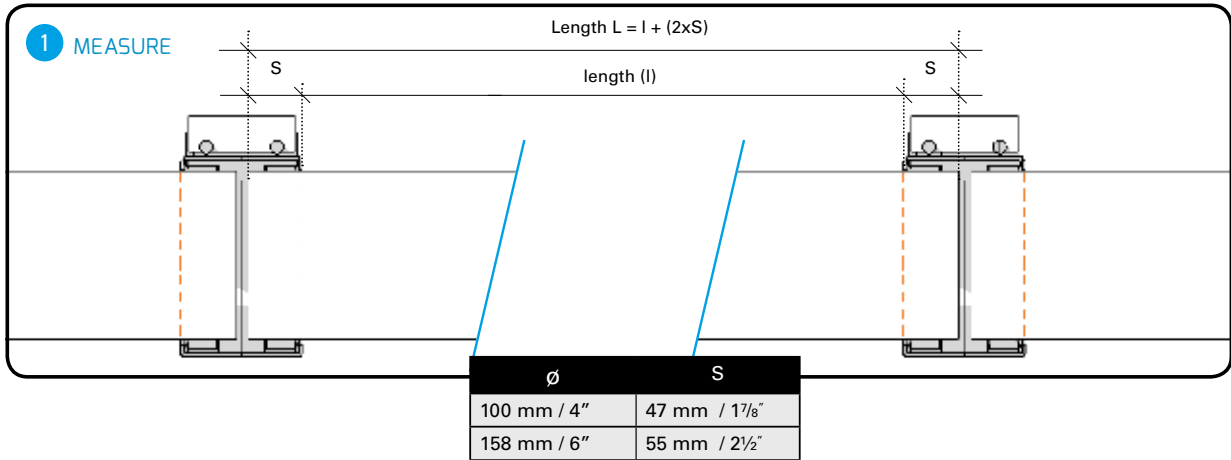
63mm torque head 2811 6128 80

80mm torque head 2811 7128 80

# Aluminum Installation Guide

## Diameters 100mm-158mm / 4" & 6"

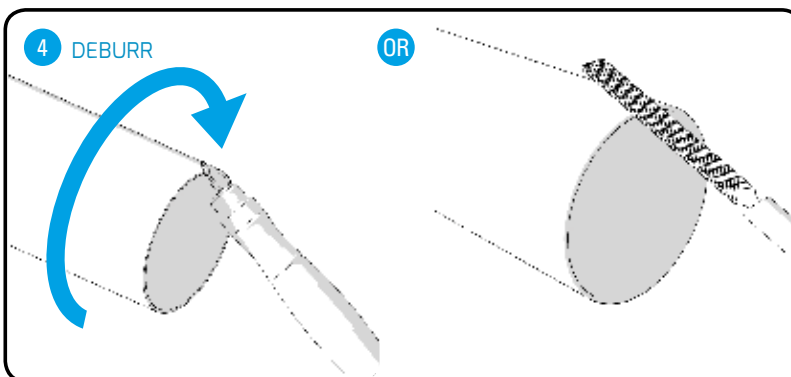
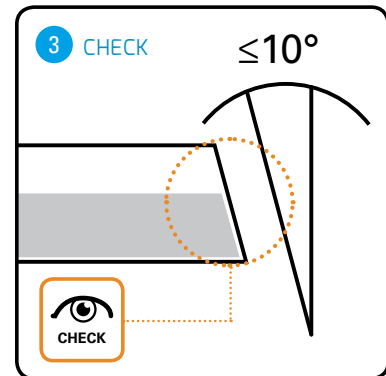
4"- 6" (Large Sizes)



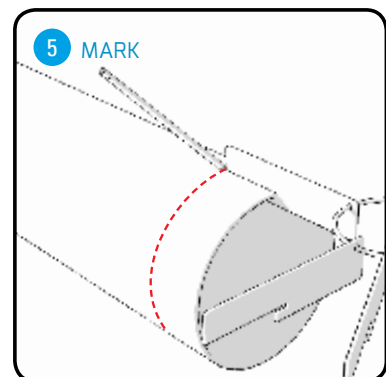
110/120V 2810 0640 80

$\varnothing$  100-158 mm 2810 0240 00

220/230V 2810 0540 80

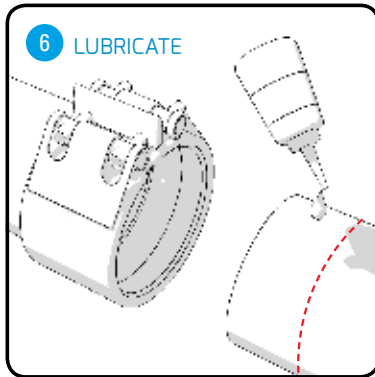


ALL 2810 0641 00

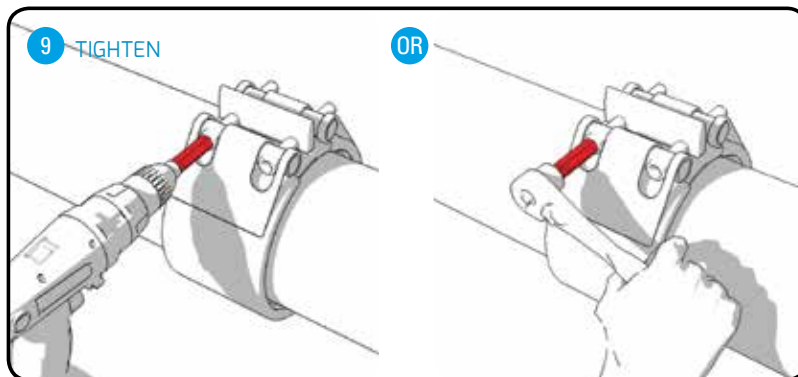
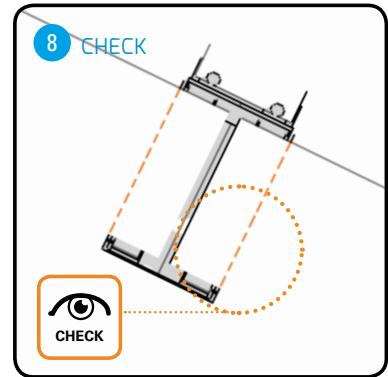
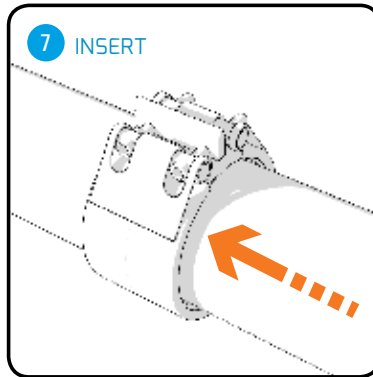


ALL 2811 0229 80

## Diameters 100mm-158mm / 4" & 6" 4"- 6" (Large Sizes)

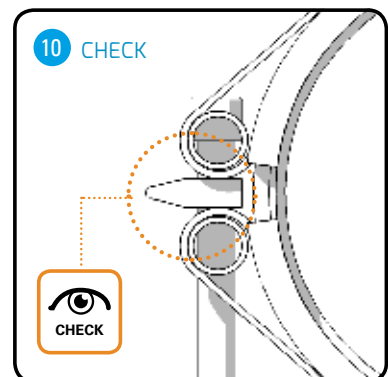


ALL 2810 0148 00



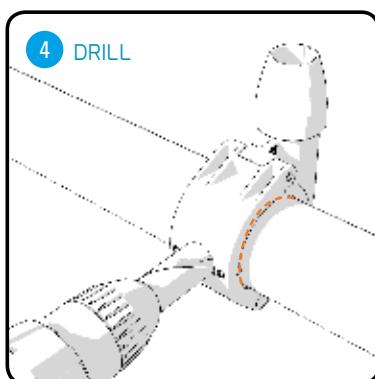
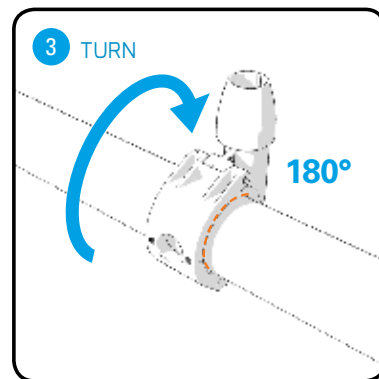
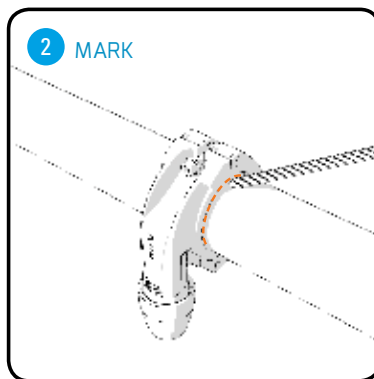
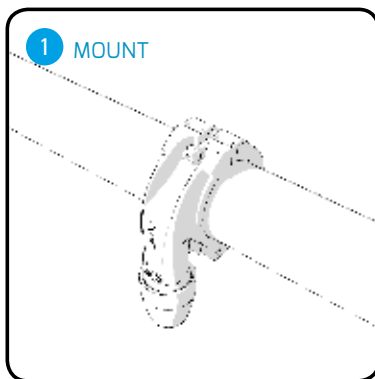
Hexagon Socket - D100 4027 1323 08

Hexagon Socket - D158 0462 3601 23



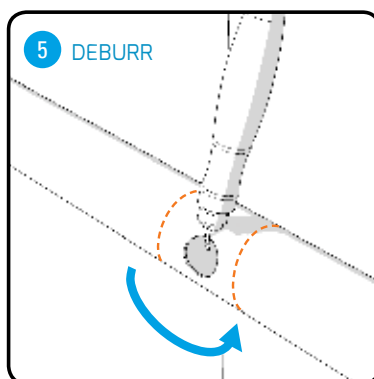
# Aluminum Installation Guide

## Quickdrop Assembly



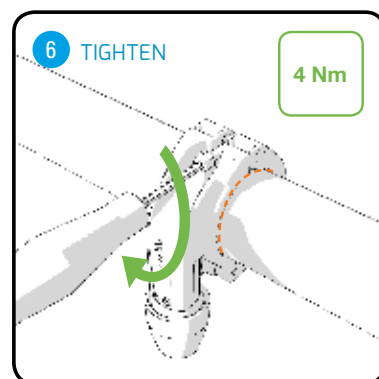
Ø 25 mm drill bit 2810 0143 00

Ø 40-80 mm drill bit 2810 0243 00

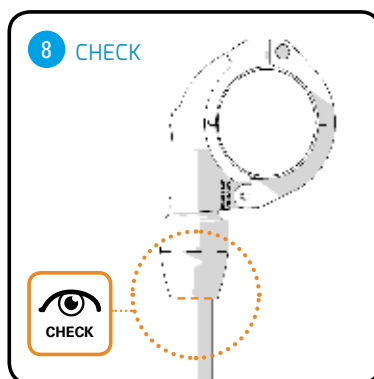
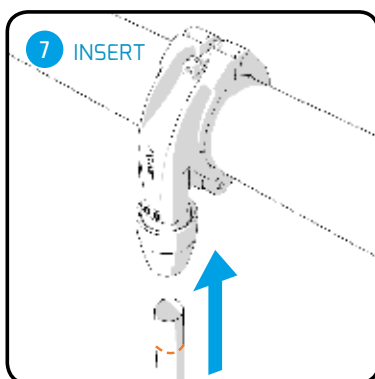


Heavy Duty 2810 0641 00

Light Duty 2810 0042 00



ALL 2811 0149 00



## Replace Classic Series with new PF Series

*Diameters 20 - 50mm / 3/4" - 2"*

$\Delta$						
$\varnothing$ 20 mm	21.5 mm	9 mm	9 mm	8 mm	8 mm	13 mm
$\varnothing$ 25 mm	19 mm	14.5 mm	13 mm	6 mm	8 mm	20 mm
$\varnothing$ 40 mm	38 mm	23 mm	28 mm	23 mm	9 mm	35 mm
$\varnothing$ 50 mm	37.5 mm	32 mm	35 mm	32 mm	0 mm	34 mm
$\varnothing$ 3/4"	7/8"	3/8"	3/8"	1/4"	1/4"	1/2"
$\varnothing$ 1"	3/4"	1/2"	1/2"	1/4"	1/4"	3/4"
$\varnothing$ 1 1/2"	1 1/2"	7/8"	1 1/8"	7/8"	3/8"	1 3/8"
$\varnothing$ 2"	1 1/2"	1 1/4"	1 3/8"	1 1/4"	0"	1 3/8"

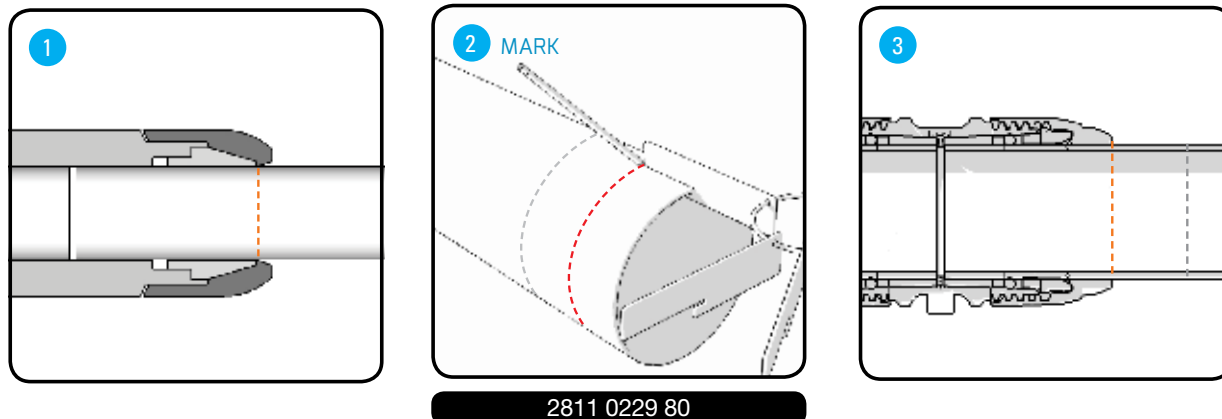
  

$\Delta$  = Length to be cut off before replacement

# Aluminum Installation Guide

## Replace Classic Series with new Black Series

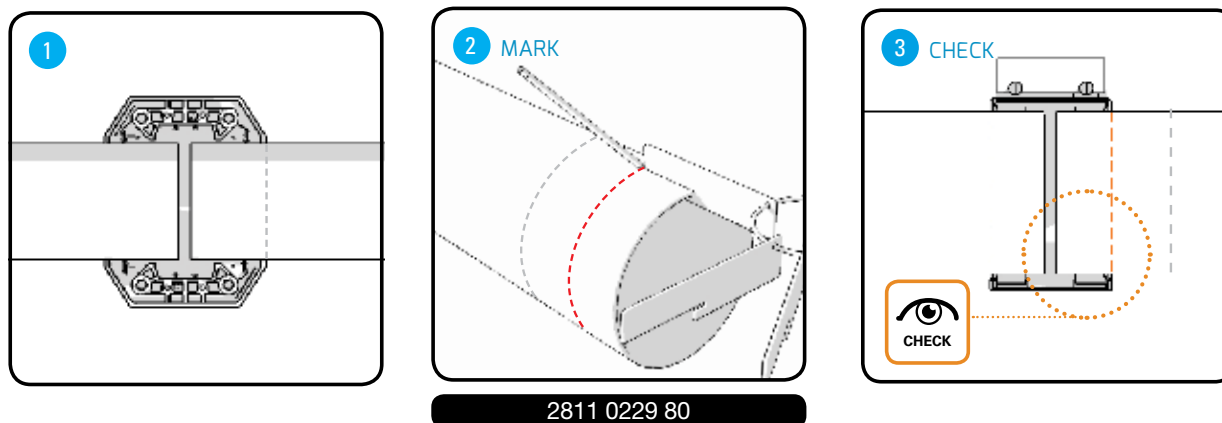
*Diameters 63 - 80mm / 2 ½" - 3"*



Note: When replacing the Classic Series with the Black Series only a new marking is needed, no cutting of pipes.

## Replace old D100 fittings with new D100 fittings

*Diameter 100mm / 4"*



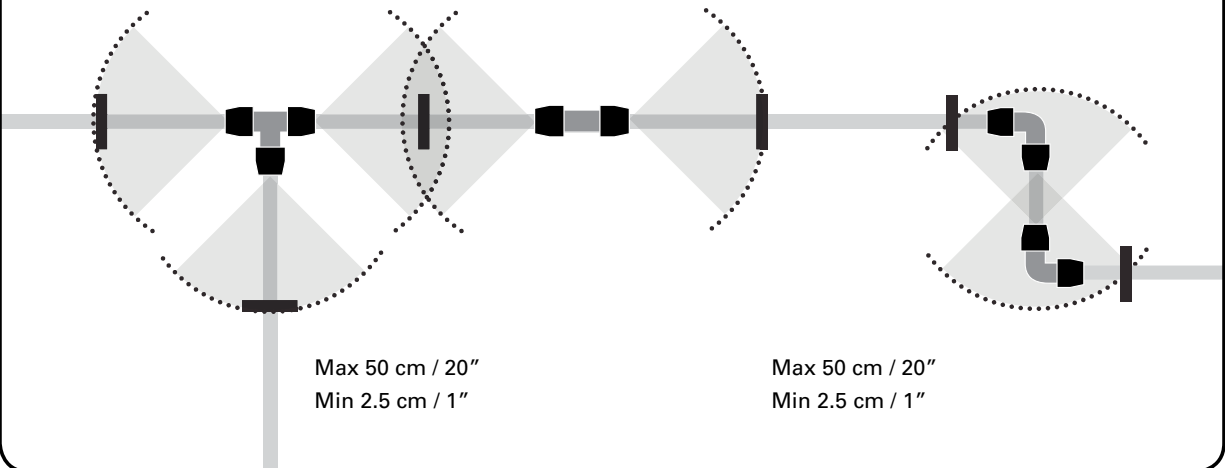
Note: When replacing the old D100 fitting with the new D100 fitting, only a new marking is needed, no cutting of pipes.



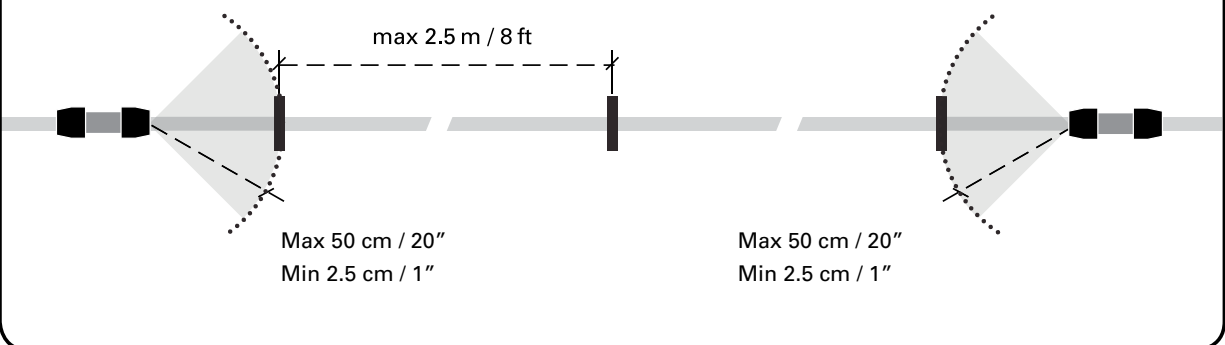
## Pipe Clips Installation

Diameters 20 - 158mm / ¾" - 6"

**Rule #1:** Every side of a fitting should have minimum 1 pipe clip within a distance of max 0.5 m / 20"



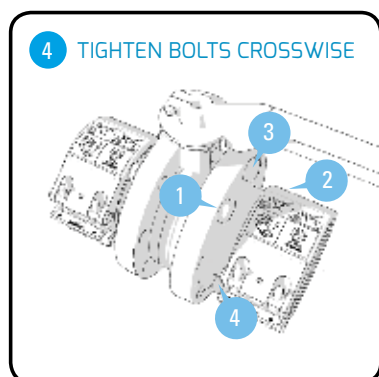
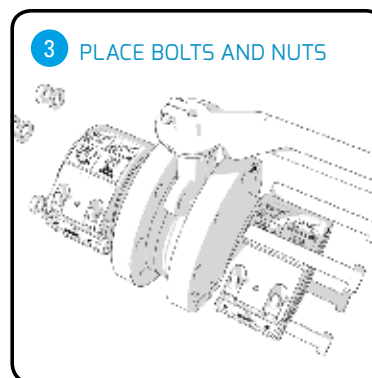
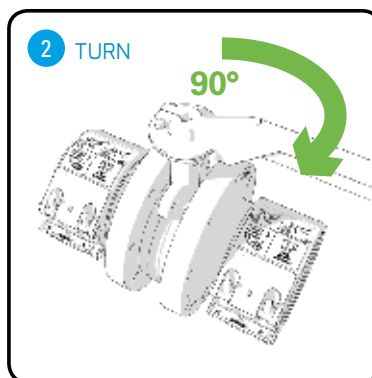
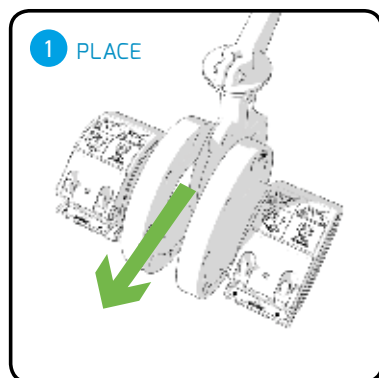
**Rule #2:** Maximum 2.5 m / 8 ft between 2 pipe clips



# Aluminum Installation Guide

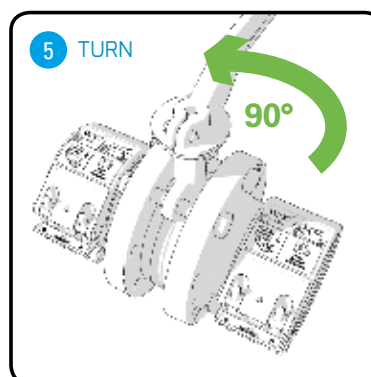
## Butterfly Valve Installation

*Diameters 100 - 158 mm / 4" - 6"*



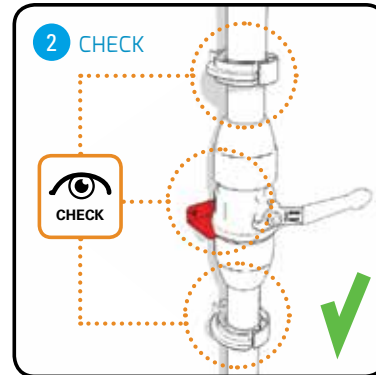
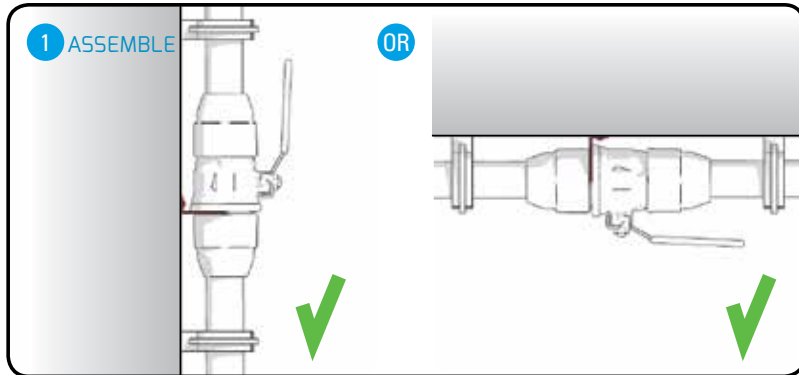
**D100**  
16 Nm  
12 lbs/ft

**D158**  
38 Nm  
28 lbs/ft

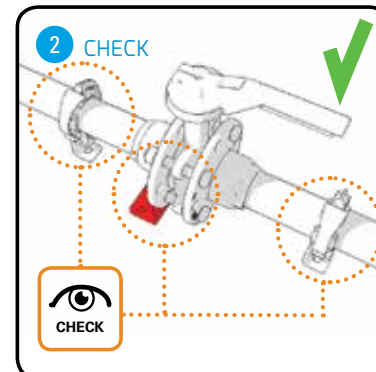
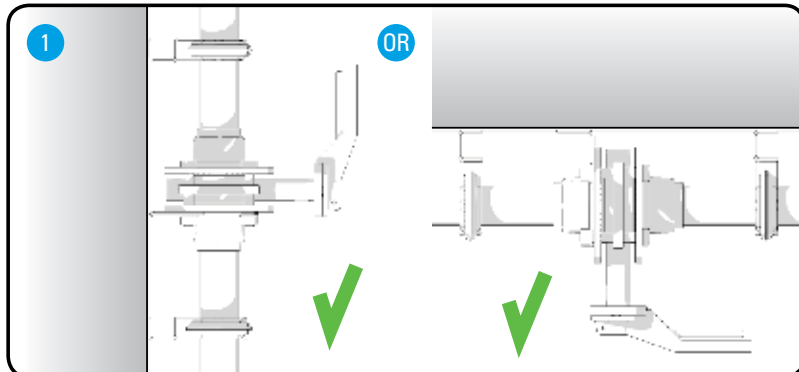


## Valve Support

Diameters 20 - 50 mm / 3/4" - 2"

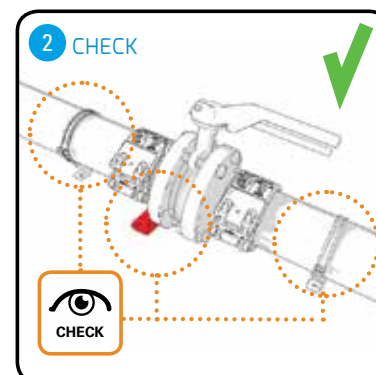
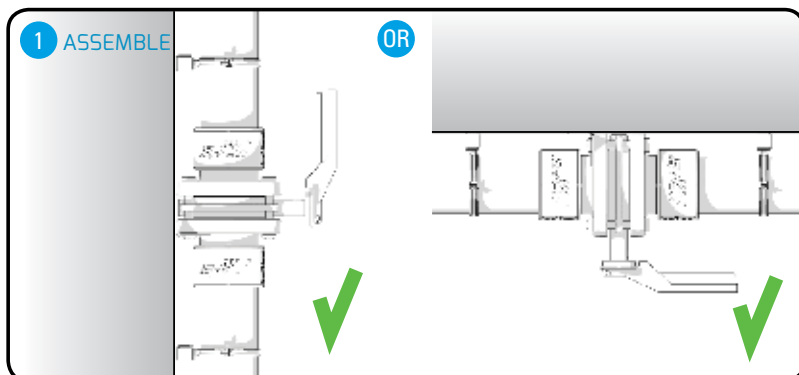


Diameters 63 - 80 mm / 2 1/2" - 3"



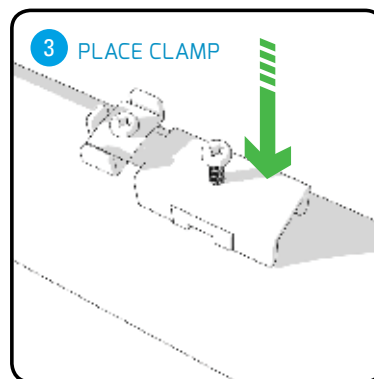
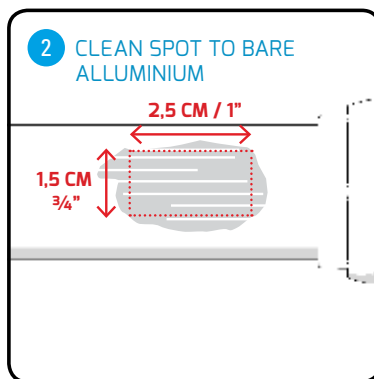
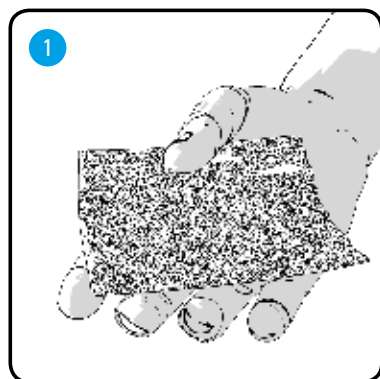
Note: The butterfly valves for 63 mm and 80 mm are delivered pre-assembled with the flanges.

Diameter 100 - 158 mm / 4" - 6"

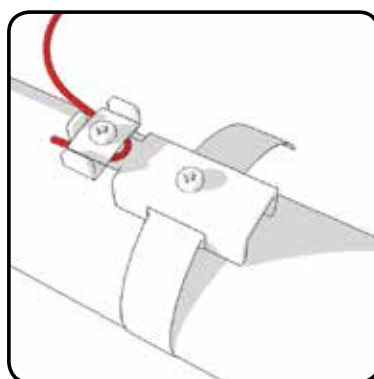
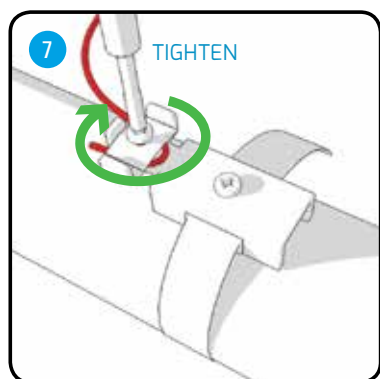
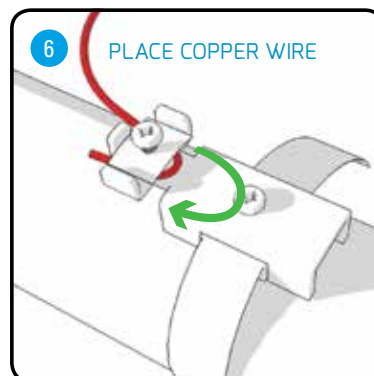
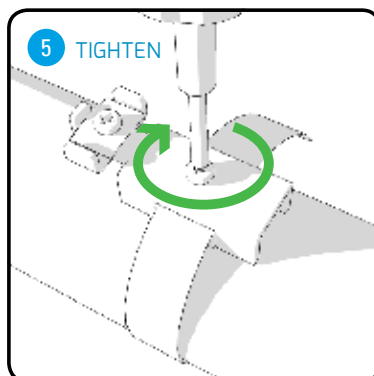
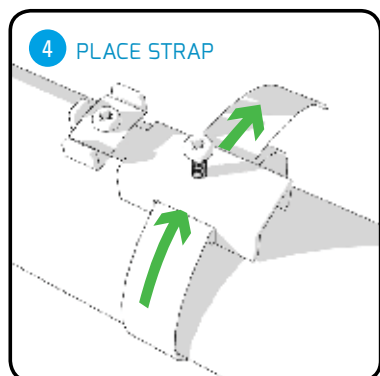


# Aluminum Installation Guide

## Mounting Conductivity Strap

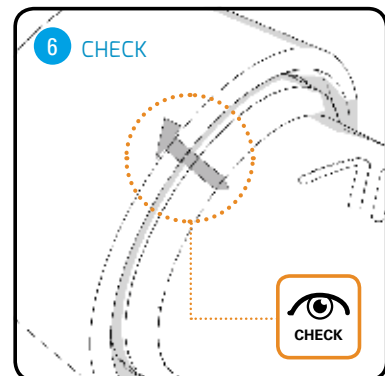
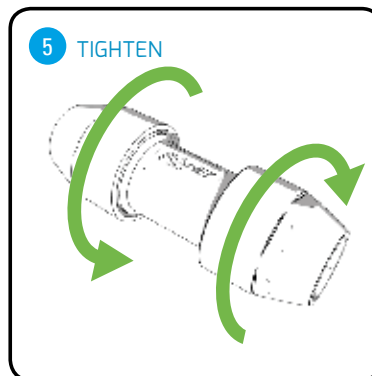
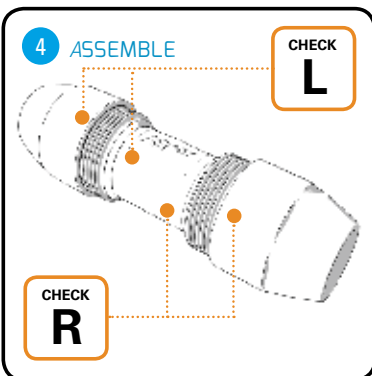
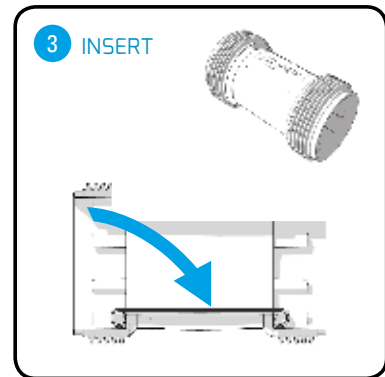
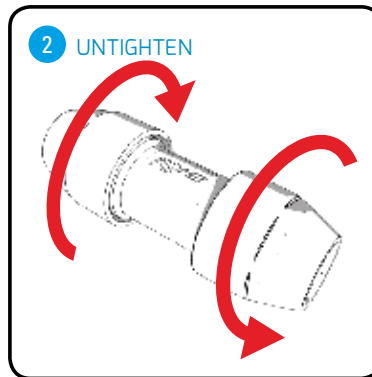
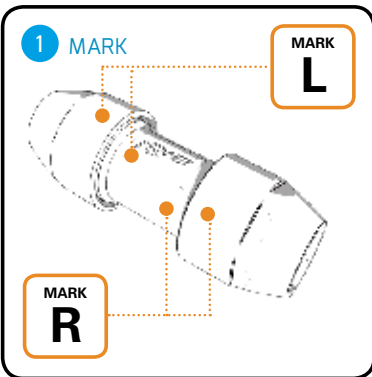
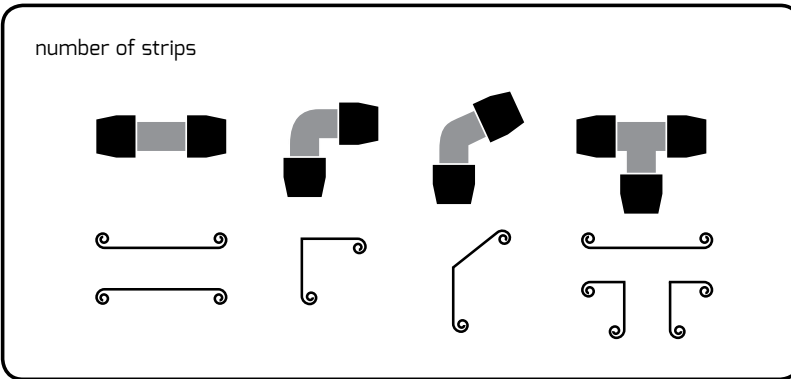


2810 0191 00



## Mounting Conductivity Strip

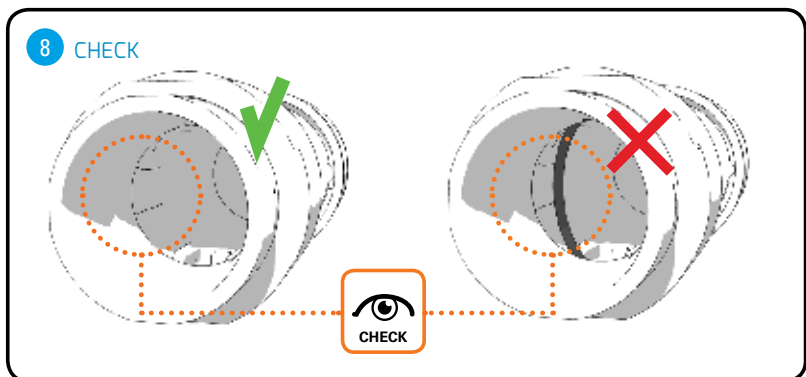
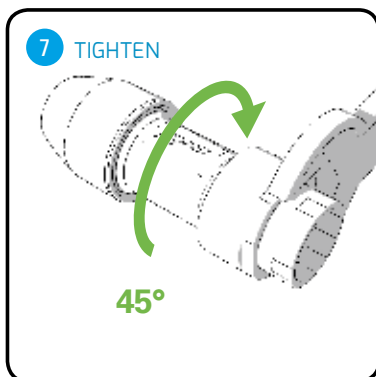
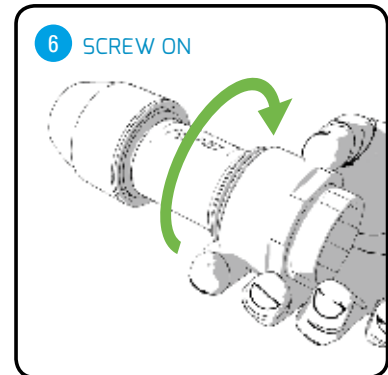
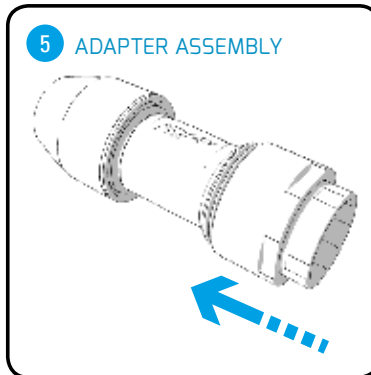
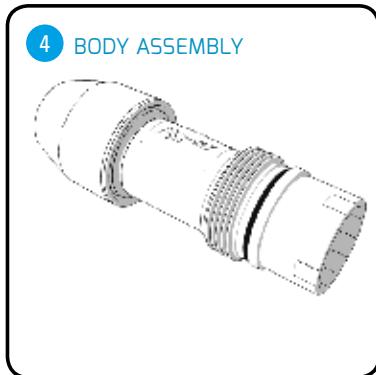
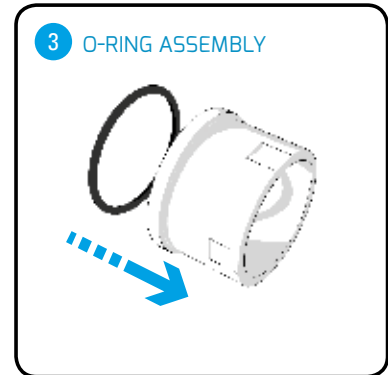
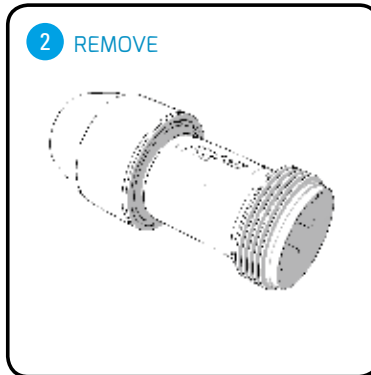
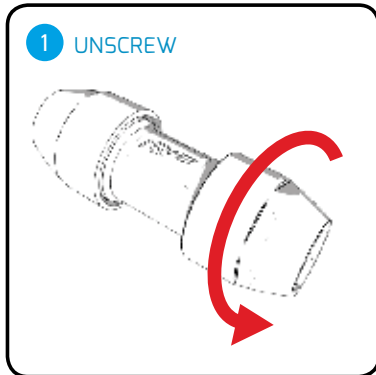
*PF Series only*



# Aluminum Installation Guide

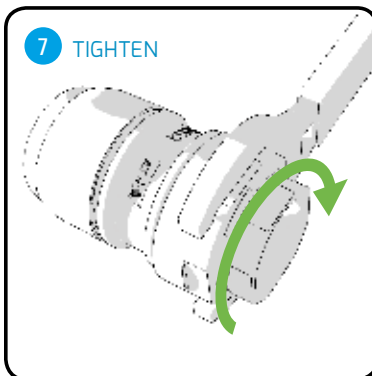
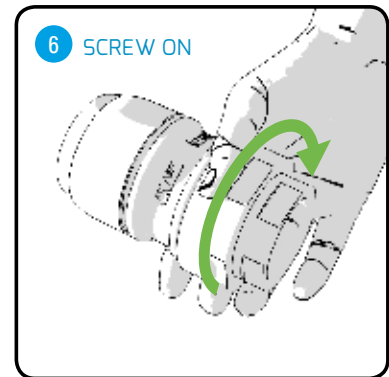
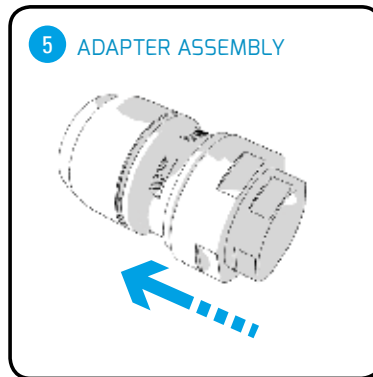
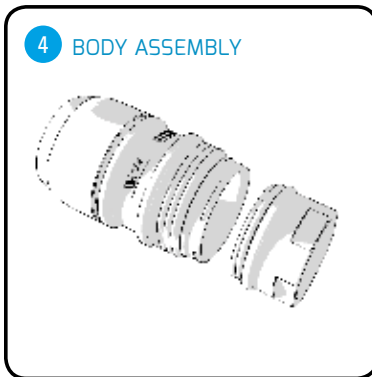
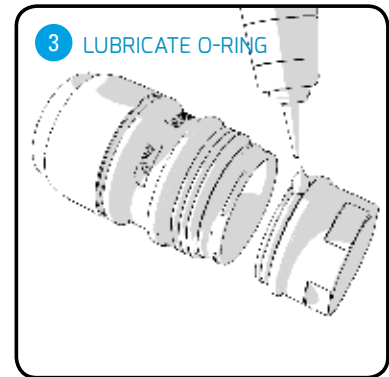
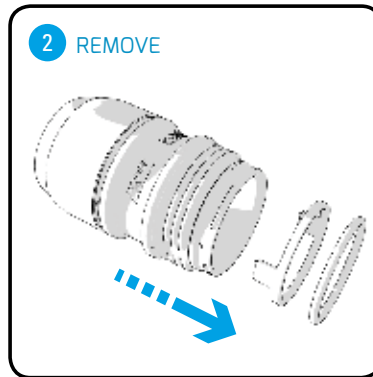
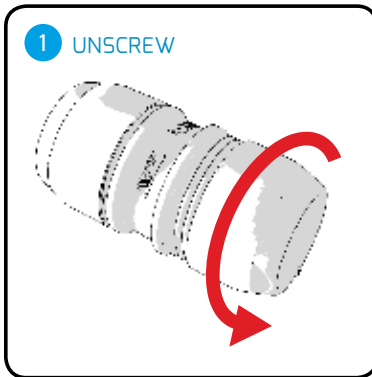
## Adaptor Union

PF Series Diameters 20 – 50 mm / 3/4" - 2"



## Adaptor Union

*Black Series Diameters 63 – 80 mm / 2 1/2" - 3"*



# Pre-Quote Checklist



## Pre-Quote Checklist

Pre-Quote Checklist			
Does customer have Autocad drawing or sketch of installation?		<input type="checkbox"/>	Elevation View?
Parts only	<input type="checkbox"/>	Parts and labor	<input type="checkbox"/>
Equipment			
Compressor Model	<input type="text"/>	Connection Size	<input type="text" value="v"/>
Max CFM	<input type="text"/>	Loading Pressure	<input type="text"/>
Dryer	<input type="checkbox"/>	Connection Size	<input type="text" value="v"/>
Dryer Bypass	<input type="checkbox"/>		
Receiver	<input type="checkbox"/>	Connection Size	<input type="text" value="v"/>
Filters	<input type="checkbox"/>	Connection Size	<input type="text" value="v"/>
Filter Bypass	<input type="checkbox"/>		
Mist Eliminator	<input type="checkbox"/>	Connection Size	<input type="text" value="v"/>
Additional Equipment	<input type="checkbox"/>	Connection Size	<input type="text" value="v"/>
Explain	<input type="text"/>		
Building			
Ceiling Height	<input type="text" value="v"/>	Truss Type?	<input type="text" value="v"/>
Obstacles	<input type="checkbox"/>	Explain	<input type="text"/>
System			
Isolation Valves	<input type="checkbox"/>	Quantity	<input type="text"/>
Quantity of Drops	<input type="text"/>	Quick DropSize	<input type="text" value="v"/>
How do drops terminate?	<input type="text" value="v"/>		
Ball Valve required for compressor	<input type="checkbox"/>		<input type="text" value="v"/>
Hanging equipment Required	<input type="checkbox"/>	Explain	<input type="text"/>



Certified installer: \_\_\_\_\_

Responsible AIRnet champion: \_\_\_\_\_

Customer: \_\_\_\_\_

Commissioning date (dd/mm/yyyy): \_\_\_\_\_

Customer address: \_\_\_\_\_

Expansion of existing installation

New installation

## Before installation

### Safety

- All safety instructions at customer site have been acknowledged and applied.
- The AIRnet installation manual (latest version is available on the website: <https://www.airnet-system.com/en>) has been read and understood. The installation is carried out in accordance with the instructions in this manual.

### Medium

- Compressed air
- Vacuum
- Nitrogen
- Other: \_\_\_\_\_

	T <sub>MAX</sub> _____ °C / °F
	T <sub>AVG</sub> _____ °C / °F
	T <sub>MIN</sub> _____ °C / °F
	Working pressure _____ bar(g) / psi

### Ambient conditions

If installed outdoors: is the installation protected from

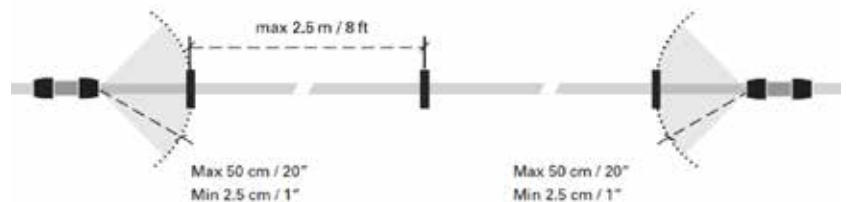
- Direct sunlight?
- Rain / snow / ice?
- Wind?

### Network Layout

- To ensure proper draining of condensate, pipes should be sloped at 1-2% and a drain point should be foreseen at every lowest point of the line.
- Ensure that pressure vessels are bolted to the floor, and that vibrations may not be transmitted to the AIRnet piping.
- Expansion loops  
Number of expansion loops: \_\_\_\_\_  
Longest straight line: \_\_\_\_\_ m/ft

## Installation

- A pipe clip has been foreseen within 50cm (20") of every side of every fitting AND A pipe clip has been foreseen every 2,5m (100") for longer stretches of pipe



# Stainless Steel



# Stainless Steel

## Piping

PIPING/PIPE 304L (5.7m / 18.7 ft)



PART NUMBER	DESCRIPTION	AIRNET (MM/INCH)	LOT SIZE
2812 1000 01	Pipe 304L D15 (1/2")	15/1/2"	1
2812 2000 01	Pipe 304L D28 (1")	28/1"	1
2812 3000 01	Pipe 304L D35 (1 1/4")	35/1 1/4"	1
2812 4000 00	Pipe 304L D42 (1 1/2")	42/1 1/2"	1
2812 5000 00	Pipe 304L D54 (2")	54/ 2"	1
2812 6000 01	Pipe 304L D76 (2 3/4")	76/2 3/4"	1
2812 7000 01	Pipe 304L D89 (3 1/2")	89/3 1/2"	1
2812 8000 01	Pipe 304L D108 (4")	108/4"	1

## Piping

PIPING/PIPE 316L (5.7m / 18.7 ft)

PART NUMBER	DESCRIPTION	AIRNET (MM/INCH)	LOT SIZE
2812 1001 01	Pipe 316L D15 (1/2")	15 / 1/2"	1
2812 2001 01	Pipe 316L D28 (1")	28/1"	1
2812 4001 00	Pipe 316L D42 (1 1/2")	42/1 1/2"	1

## Fittings

SADDLE CLAMP QUICK DROP



PART NUMBER	DESCRIPTION	DIMENSIONS (MM/INCH)	LOT SIZE
2812 6310 00	316L D76xD35 (2 3/4" x 1 1/4")	76 x 35	1
2812 7410 00	316L D89xD42 (3 1/2" x 1 1/2")	89 x 42	1
2812 8510 00	316L D108xD54 (4" x 2")	108 x 54	1

## Fittings

S-BEND DROP



PART NUMBER	DESCRIPTION	DIMENSIONS (MM/INCH)	LOT SIZE
2812 1067 00	Swan Neck 316L D15 (1/2")	15/1/2"	1
2812 2067 00	Swan Neck 316L D28 (1")	28/1"	1

# Stainless Steel

## Fittings

### ELBOWS 45°



PART NUMBER	DESCRIPTION	DIMENSIONS (MM/INCH)	LOT SIZE
2812 1004 00	Elbow 45 DEG 316L D15 (1/2")	15/ 1/2"	1
2812 2004 00	Elbow 45 DEG 316L D28 (1")	28/1"	1
2812 3004 00	Elbow 45 DEG 316L D35 (1 1/4")	35/1 1/4"	1
2812 4004 00	Elbow 45 DEG 316L D42 (1 1/2")	42/1 1/2"	1
2812 5004 00	Elbow 45 DEG 316L D54 (2")	54/2"	1
2812 6004 00	Elbow 45 DEG 316L D76 (2 3/4")	76/2 3/4"	1
2812 7004 00	Elbow 45 DEG 316L D89 (3 1/2")	89/3 1/2"	1
2812 8004 00	Elbow 45 DEG 316L D108 (4")	108/4"	1

## Fittings

### ELBOWS 90°



PART NUMBER	DESCRIPTION	DIMENSIONS (MM/INCH)	LOT SIZE
2812 1003 00	Elbow 90 DEG 316L D15 (1/2")	15/ 1/2"	1
2812 2003 00	Elbow 90 DEG 316L D28 (1")	28/1"	1
2812 3003 00	Elbow 90 DEG 316L D35 (1 1/4")	35/1 1/4"	1
2812 4003 00	Elbow 90 DEG 316L D42 (1 1/2")	42/1 1/2"	1
2812 5003 00	Elbow 90 DEG 316L D54 (2")	54/2"	1
2812 6003 00	Elbow 90 DEG 316L D76 (2 3/4")	76/2 3/4"	1
2812 7003 00	Elbow 90 DEG 316L D89 (3 1/2")	89/3 1/2"	1
2812 8003 00	Elbow 90 DEG 316L D108 (4")	108/4"	1

## Fittings

### EQUAL TEES



PART NUMBER	DESCRIPTION	DIMENSIONS (MM/INCH)	LOT SIZE
2812 1005 00	Equal Tee 316L D15 (1/2")	15/ 1/2"	1
2812 2005 00	Equal Tee 316L D28 (1")	28/1"	1
2812 3005 00	Equal Tee 316L D35 (1 1/4")	35/1 1/4"	1
2812 4005 00	Equal Tee 316L D42 (1 1/2")	42/1 1/2"	1
2812 5005 00	Equal Tee 316L D54 (2")	54/2"	1
2812 6005 00	Equal Tee 316L D76 (2 3/4")	76/2 3/4"	1
2812 7005 00	Equal Tee 316L D89 (3 1/2")	89/3 1/2"	1
2812 8005 00	Equal Tee 316L D108 (4")	108/4"	1

## Fittings

### REDUCING TEES



PART NUMBER	DESCRIPTION	DIMENSIONS (MM/INCH)	LOT SIZE
2812 2107 00	Reducing Tee 316L D28xD15 (1" x 1/2")	28/1"	1
2812 3207 00	Reducing Tee 316L D35xD28 (1 1/4" x 1")	35/1 1/4"	1
2812 4307 00	Reducing Tee 316L D42xD35 (1 1/2" x 1 1/4")	42/1 1/2"	1
2812 5407 00	Reducing Tee 316L D54xD42 (2" x 1 1/2")	54/2"	1
2812 6507 00	Reducing Tee 316L D76xD54 (2 3/4" x 2")	76/2 3/4"	1
2812 7607 00	Reducing Tee 316L D89xD76 (3 1/2" x 2 3/4")	89/3 1/2"	1
2812 8707 00	Reducing Tee 316L D108xD89 (4" x 3 1/2")	108/4"	1

## Fittings

### THREADED REDUCING TEES NPT



PART NUMBER	DESCRIPTION	DIMENSIONS (MM/INCH)	LOT SIZE
2812 1009 00	Threaded RT 316L D15 x 1/2" (1/2" x 1/2") NPT	15/ 1/2"	1
2812 2109 00	Threaded RT 316L D28 x 3/4" (1" x 3/4") NPT	28/1"	1
2812 3109 00	Threaded RT 316L D35 x 3/4" (1 1/4" x 3/4") NPT	35/1 1/4"	1
2812 4109 00	Threaded RT 316L D42 x 3/4" (1 1/2" x 3/4") NPT	42/1 1/2"	1
2812 5109 00	Threaded RT 316L D54 x 3/4" (2" x 3/4") NPT	54/2"	1
2812 6109 00	Threaded RT 316L D76 x 3/4" (2 3/4" x 3/4") NPT	76/2 3/4"	1
2812 7109 00	Threaded RT 316L D89 x 3/4" (3 1/2" x 3/4") NPT	89/3 1/2"	1
2812 8109 00	Threaded RT 316L D108 x 3/4" (4" x 3/4") NPT	108/4"	1

# Stainless Steel

## Union

### EQUAL UNION



PART NUMBER	DESCRIPTION	DIMENSIONS (MM/INCH)	LOT SIZE
2812 1002 00	Equal Union 316L D15 (1/2")	15/1/2"	1
2812 2002 00	Equal Union 316L D28 (1")	28/1"	1
2812 3002 00	Equal Union 316L D35 (1 1/4")	35/1 1/4"	1
2812 4002 00	Equal Union 316L D42 (1 1/2")	42/1 1/2"	1
2812 5002 00	Equal Union 316L D54 (2")	54/2"	1
2812 6002 00	Equal Union 316L D76 (2 3/4")	76/2 3/4"	1
2812 7002 00	Equal Union 316L D89 (3 1/2")	89/3 1/2"	1
2812 8002 00	Equal Union 316L D108 (4")	108/4"	1

## Threaded Adapter

### THREADED ADAPTER MALE NPT



PART NUMBER	DESCRIPTION	DIMENSIONS (MM/INCH)	LOT SIZE
2812 1018 00	316L D15 x 1/2" (1/2" x 1/2") NPT	15/1/2"	1
2812 1118 00	316L D15 x 3/4" (1/2" x 3/4") NPT	15/1/2"	1
2812 2118 00	316L D28 x 3/4" (1" x 3/4") NPT	28/1"	1
2812 2218 00	316L D28 x 1" (1" x 1") NPT	28/1"	1
2812 3218 00	316L D35 x 1" (1 1/4" x 1") NPT	35/1 1/4"	1
2812 3318 00	316L D35 x 1 1/4" (1 1/4" x 1 1/4") NPT	35/1 1/4"	1
2812 4318 00	316L D42 x 1 1/4" (1 1/2" x 1 1/4") NPT	42/1 1/2"	1
2812 4418 00	316L D42 x 1 1/2" (1 1/2" x 1 1/2") NPT	42/1 1/2"	1
2812 5418 00	316L D54 x 1 1/2" (2" x 1 1/2") NPT	54/2"	1
2812 5518 00	316L D54 x 2" (2" x 2") NPT	54/2"	1
2812 6618 00	316L D76 x 2 1/2" (2 3/4" x 2 1/2") NPT	76/2 3/4"	1
2812 7718 00	316L D89 x 3" (3 1/2" x 3") NPT	89/3 1/2"	1
2812 8818 00	316L D108 x 4" (4" x 4") NPT	108/4"	1

## Threaded Adapter

THREADED ADAPTER FEMALE NPT



PART NUMBER	DESCRIPTION	DIMENSIONS (MM/INCH)	LOT SIZE
2812 1120 00	316L D15 x 3/4" (1/2"x3/4") NPT	15/1/2"	1
2812 2220 00	316L D28 x 1" (1"x1") NPT	28/1"	1
2812 3320 00	316L D35 x 1 1/4" (1 1/4"x 1 1/4") NPT	35/1 1/4"	1
2812 4420 00	316L D42 x 1 1/2" (1 1/2"x 1 1/2") NPT	42/1 1/2"	1
2812 5520 00	316L D54 x 2" (2"x 2") NPT	54/2"	1

## End Caps

END CAPS



PART NUMBER	DESCRIPTION	DIMENSIONS (MM/INCH)	LOT SIZE
2812 1006 00	End Cap 316L D15 (1/2" )	15/1/2"	1
2812 2006 00	End Cap 316L D28 (1")	28/1"	1
2812 3006 00	End Cap 316L D35 (1 1/4")	35/1 1/4"	1
2812 4006 00	End Cap 316L D42 (1 1/2")	42/1 1/2"	1
2812 5006 00	End Cap 316L D54 (2")	54/2"	1
2812 6006 00	End Cap 316L D76 (2 3/4" )	76/2 3/4"	1
2812 7006 00	End Cap 316L D89 (3 1/2")	89/3 1/2"	1
2812 8006 00	End Cap 316L D108 (4")	108/4"	1

## Wall Mounts

WALL MOUNTED MANIFOLD



PART NUMBER	DESCRIPTION	DIMENSIONS (MM/INCH)	LOT SIZE
2812 1041 00	316L D15 x 1/2" (1/2"x 1/2") NPT	15/ 1/2"	1

# Stainless Steel

## Reducers

REDUCER MALE X FEMALE



PART NUMBER	DESCRIPTION	DIMENSIONS (MM/INCH)	LOT SIZE
2812 2121 00	Reducer 316L D28 x D15 (1" X ½")	28 x 15/1"	1
2812 3221 00	Reducer 316L D35 x D28 (1¼" x 1")	35 x 28/1¼"	1
2812 4321 00	Reducer 316L D42 x D35 (1½" x 1¼")	42 X 35/1½"	1
2812 5421 00	Reducer 316L D54 x D42 (2" x 1½")	54 x 42/2"	1
2812 6521 00	Reducer 316L D76 x D54 (2¾" x 2")	76 x 54/2¾"	1
2812 7621 00	Reducer 316L D89 x D76 (3½" x 2¾")	89 x 76/3½"	1
2812 8721 00	Reducer 316L D108 x D89 (4" x 3½")	108 x 89/4"	1

## Adapters

ADAPTER UNION FEMALE NPT



PART NUMBER	DESCRIPTION	DIMENSIONS (MM/INCH)	LOT SIZE
2812 1114 00	Adapter Union 316L D15 x ¾" (½" x ¾") NPT	15/ ½"	1
2812 2214 00	Adapter Union 316L D28 x 1" (1" x 1") NPT	28/1"	1
2812 3314 00	Adapter Union 316L D35 x 1¼" (1¼" x 1¼") NPT	35/1¼"	1
2812 4414 00	Adapter Union 316L D42 x 1½" (1½" x 1½") NPT	42/1½"	1
2812 5514 00	Adapter Union 316L D54 x 2" (2" x 2") NPT	54/2"	1

## Flanges

FLANGE ANSI CL150



PART NUMBER	DESCRIPTION	DIMENSIONS (MM/INCH)	LOT SIZE
2812 1154 00	Flange 316L D15 (½") ANSI CL150	15/½"	1
2812 2154 00	Flange 316L D28 (1") ANSI CL150	28/1"	1
2812 3154 00	Flange 316L D35 (1¼") ANSI CL150	35/1¼"	1
2812 4154 00	Flange 316L D42 (1½") ANSI CL150	42/1½"	1
2812 5154 00	Flange 316L D54 (2") ANSI CL150	54/2"	1
2812 6154 00	Flange 316L D76 (2¾") ANSI CL150	76/2¾"	1
2812 7154 00	Flange 316L D89 (3½") ANSI CL150	89/3½"	1
2812 8154 00	Flange 316L D108 (4") ANSI CL150	108/4"	1



## Valves

### BALL VALVE



PART NUMBER	DESCRIPTION	DIMENSIONS (MM/INCH)	LOT SIZE
2812 1051 00	Ball Valve 316L D15 (1/2")	15/1/2"	1
2812 2051 00	Ball Valve 316L D28 (1")	28/1"	1
2812 3051 00	Ball Valve 316L D35 (1 1/4")	35/1 1/4"	1
2812 4051 00	Ball Valve 316L D42 (1 1/2")	42/1 1/2"	1
2812 5051 00	Ball Valve 316L D54 (2")	54/2"	1
2812 6051 00	Ball Valve 316L D76 (2 3/4")	76/2 3/4"	1
2812 7051 00	Ball Valve 316L D89 (3 1/2")	89/3 1/2"	1
2812 8051 00	Ball Valve 316L D108 (4")	108/4"	1

## Compensator

### VIBRATION COMPENSATOR



PART NUMBER	DESCRIPTION	DIMENSIONS (MM/INCH)	LOT SIZE
2812 1055 00	Compensator 316L D15 (1/2")	15/1/2"	1
2812 2055 00	Compensator 316L D28 (1")	28/1"	1
2812 3055 00	Compensator 316L D35 (1 1/4")	35/1 1/4"	1
2812 4055 00	Compensator 316L D42 (1 1/2")	42/1 1/2"	1
2812 5055 00	Compensator 316L D54 (2")	54/2"	1

## Accessories

### PIPE CLIP UNC



PART NUMBER	DESCRIPTION	DIMENSIONS (MM/INCH)	LOT SIZE
2812 1122 20	Pipe Clip 304L D15 (1/2") 3/8" UNC 20PCS	15/1/2"	1
2812 2122 20	Pipe Clip 304L D28 (1") 3/8" UNC 20PCS	28/1"	1
2812 3122 20	Pipe Clip 304L D35 (1 1/4") 3/8" UNC 20PCS	35/1 1/4"	1
2812 4122 20	Pipe Clip 304L D42 (1 1/2") 3/8" UNC 20PCS	42/1 1/2"	1
2812 5122 20	Pipe Clip 304L D54 (2") 3/8" UNC 20PCS	54/2"	1
2812 6122 20	Pipe Clip 304L D76 (2 3/4") 3/8" UNC 20PCS	76/2 3/4"	1
2812 7122 20	Pipe Clip 304L D89 (3 1/2") 3/8" UNC 20PCS	89/3 1/2"	1
2812 8122 20	Pipe Clip 304L D108 (4") 3/8" UNC 20PCS	108/4"	1

# Stainless Steel

## Accessories

### O-RING KIT



PART NUMBER	DESCRIPTION	DIMENSIONS (MM/INCH)	LOT SIZE
2812 1065 20	O-ring Kit D15 (1/2") 20PCS	15/1/2"	20
2812 2065 20	O-ring Kit D28 (1") 20PCS	28/1"	20
2812 3065 20	O-ring Kit D35 (1 1/4") 20PCS	35/1 1/4"	20
2812 4065 20	O-ring Kit D42 (1 1/2") 20PCS	42/1 1/2"	20
2812 5065 20	O-ring Kit D54 (2") 20PCS	54/2"	20
2812 6065 10	O-ring Kit D76 (2 3/4") 10PCS	76/2 3/4"	10
2812 7065 10	O-ring Kit D89 (3 1/2") 10PCS	89/3 1/2"	10
2812 8065 10	O-ring Kit D108 (4") 10PCS	108/4"	10

## Accessories

### GASKET FOR FLANGE



PART NUMBER	DESCRIPTION	DIMENSIONS (MM/INCH)	LOT SIZE
0650 0100 43	Gasket D15 (1/2") PN10-16 ANSI CL150 Typical	15/ 1/2"	1
0650 0101 06	Gasket D28(1") ANSI CL150	28/1"	1
0650 1001 12	Gasket D35 PN10-16/ANSI CL150	35/1 1/4"	1
0650 0100 09	Gasket D54 (2") PN10-16/ANSI CL150	54/2"	1
0650 1001 19	Gasket D76 (2 3/4") ANSI CL 150	76/2 3/4"	1
0650 1001 27	Gasket D89 (3 1/2") PN10-16/ANSI CL150	89/3 1/2"	1
0650 0100 06	Gasket D108 (4") PN10-16/ANSI CL150	108/4"	1

## Tools

### TOOLING/PRESSING TOOL



PART NUMBER	DESCRIPTION	DIMENSIONS (MM/INCH)	LOT SIZE
2812 0028 01	Pressing Tool D15-D54 (1/2"-2")	15-54 / 1/2"-2"	1
2812 0040 00	Tool Cutter Manual D15-D54	42-54 / 1 1/2"-2"	1
2812 0128 01*	Large Pressing Tool	76-108 / 2 3/4"-4"	1
2812 0140 00	Tool Cutter Manual D76-D108	N/A	1
2812 0328 01	Tool Charger 110V	N/A	1
2812 0428 01	Tool Cable 110V	N/A	1

\*Includes Battery / Charger

## Tools

### TOOL JAW



PART NUMBER	DESCRIPTION	DIMENSIONS (MM/INCH)	LOT SIZE
2812 1028 00	Tool Jaw D15 (1/2")	15 / 1/2"	1
2812 2028 00	Tool Jaw D28 (1")	28 / 1"	1
2812 3028 00	Tool Jaw D35 (1 1/4")	35 / 1 1/4"	1
2812 4028 00	Tool Collar D42 (1 1/2")	42 / 1 1/2"	1
2812 5028 00	Tool Collar D54 (2")	54 / 2"	1
2812 6028 00	Tool Collar D76 (2 3/4")	76 / 2 3/4"	1
2812 7028 00	Tool Collar D89 (3 1/2")	89 / 3 1/2"	1
2812 8028 00	Tool Collar D108 (4")	108 / 4"	1

## Tools

### DEBURRING/MARKER GAUGE

PART NUMBER	DESCRIPTION	DIMENSIONS (MM/INCH)	LOT SIZE
2810 0641 00	DeBurring Tool/Dual handle	N/A	1
2812 0029 80	Marker Gauge	N/A	1

# Stainless Steel Installation Guide

## Operating Conditions & Safety Instructions

### OPERATING CONDITIONS

AIRnet stainless steel pipes and fittings are designed to convey compressed air and vacuum. The system can also be used for nitrogen, helium, argon, neon, xenon and krypton.

AIRnet stainless steel pipes and fittings must only be used within the pressure and temperature specifications referred to in the AIRnet Stainless Steel Component List.

AIRnet stainless steel pipes and fittings must be appropriately protected against violent impacts and wind gusts.

Ensure accessibility of the AIRnet system for possible future system expansion or maintenance.

AIRnet stainless steel pipes and fittings should not be used as support for electrical equipment or earth conductors.

AIRnet stainless steel pipes should never be directly connected to a source of vibrations (use hoses instead).

Pressure relief valves must be installed where needed to ensure that the system working pressure cannot exceed the maximum working pressure of AIRnet Stainless Steel.

### AIRNET INSTALLATIONS IN EXPLOSIVE ENVIRONMENTS

Cutting, deburring and assembly of AIRnet stainless steel pipes can create sparks. Necessary precautions in explosive atmospheres must be taken.

AIRnet stainless steel installations in explosive environments must always be earthed. Bonding and earthing must be checked at frequent intervals to secure that the system cannot be electrically charged.

### PURITY REMARKS

To guarantee the purity of the compressed air at the point of use:

- a system purge of at least 24h is highly recommended.
- a properly sized certified point-of-use filter is advised, depending on the application requirements.

AIRnet stainless steel cannot be allowed to convey any end products (food, beverage, pharmaceuticals, etc.)

### SAFETY INSTRUCTIONS

Installation, adjustments and repair work of an AIRnet system must be performed by authorized trained personnel.

Installers must use the necessary protection means (PPMs). When working at heights, use a harness for personal protection, and ensure that tools are securely fastened to prevent them from falling.

Installers must comply to all local safety requirements related to the application(s) in scope. Special care must always be taken to prevent suffocation risks when working with gases other than air.

Before any installation, adjustment, repair work or other non-routine checks, relieve the AIRnet system of pressure and effectively isolate the system from all sources of pressure.

Only genuine AIRnet parts should be used when installing, adjusting or repairing an AIRnet stainless steel system.

All plugs and caps must be removed before installing the AIRnet pipes.

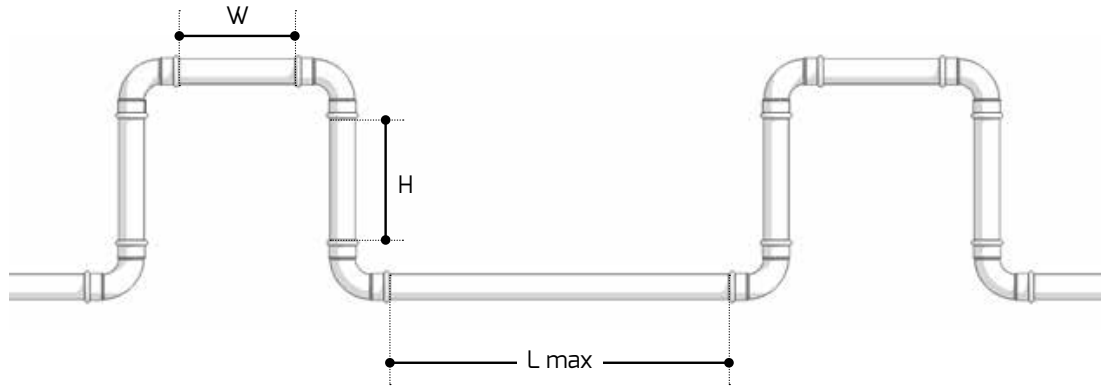
Check the surface of the AIRnet pipes before installing. There should be no relevant scratches, abrasions, dents etc.

Use only solvents or chemicals which do not damage the materials of AIRnet.

Before using the AIRnet stainless steel system, installers must ensure that all necessary test controls and applicable rules for the specific installation are complied with.

At initial startup of the AIRnet system, apply a test pressure of 1.5 bar to identify leakage or imperfect joints. After performing an inspection, increase the pressure gradually and constantly (max 1 bar every 30 seconds) and perform a second inspection for leakages or imperfect joints at the final pressure.

## Expansion Loops and Compensators



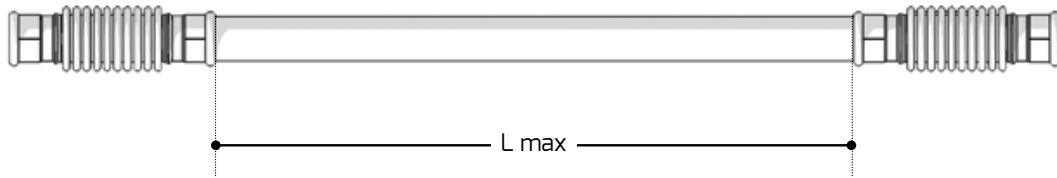
Long straight pipes will expand or contract due to temperature variations. To compensate for this effect, expansion loops or compensators are required. An expansion loop is a U-shaped construction that compensates the variation in length. Compensators are straight fittings specifically designed to allow axial movement. The number of expansion loops / compensators depends on the total length of the straight line and the maximum temperature variation.

The below table gives the maximum possible straight distance between two expansion loops with fixed piping vs. the temperature variation:

	Ø15 mm / 1/2"	Ø28 mm / 1"	Ø35 mm / 1 1/4"	Ø42 mm / 1 1/2"	Ø54 mm / 2"	Ø76 mm / 2 3/4"	Ø89 mm / 3 1/2"	Ø108 mm / 4"
<b>H</b>	0,75 m / 2,5 ft	1 m / 3,3 ft		1,25 m / 4,1 ft		1,5 m / 5 ft		1,75 m / 5,75 ft
<b>W</b>	0,375 m / 1,25 ft	0,5 m / 1,6 ft		0,625 m / 2 ft		0,75 m / 2,5 ft		0,875 m / 2,9 ft
<b>Δt</b>	Maximim distance between two expansion joints							
5°C / 9°F	726 m / 2383 ft	691 m / 2269 ft	553 m / 1815 ft	720 m / 2364 ft	560 m / 1838 ft	573 m / 1881 ft	489 m / 1606 ft	549 m / 1802 ft
10°C / 18°F	363 m / 1191 ft	345 m / 1134 ft	276 m / 907 ft	360 m / 1182 ft	280 m / 919 ft	286 m / 940 ft	244 m / 803 ft	274 m / 901 ft
20°C / 36°F	181 m / 595 ft	172 m / 567 ft	138 m / 453 ft	180 m / 591 ft	140 m / 459 ft	143 m / 470 ft	122 m / 401 ft	137 m / 450 ft
30°C / 54°F	121 m / 397 ft	115 m / 378 ft	92 m / 302 ft	120 m / 394 ft	93 m / 306 ft	95 m / 313 ft	81 m / 267 ft	91 m / 300 ft
40°C / 72°F	90 m / 297 ft	86 m / 283 ft	69 m / 226 ft	90 m / 295 ft	70 m / 229 ft	71 m / 235 ft	61 m / 200 ft	68 m / 225 ft
50°C / 90°F	72 m / 238 ft	69 m / 226 ft	55 m / 181 ft	72 m / 236 ft	56 m / 183 ft	57 m / 188 ft	48 m / 160 ft	54 m / 180 ft
60°C / 108°F	60 m / 198 ft	57 m / 189 ft	46 m / 151 ft	60 m / 197 ft	46 m / 153 ft	47 m / 156 ft	40 m / 133 ft	45 m / 150 ft
70°C / 126°F	51 m / 170 ft	49 m / 162 ft	39 m / 129 ft	51 m / 168 ft	40 m / 131 ft	40 m / 134 ft	34 m / 114 ft	39 m / 128 ft
80°C / 144°F	45 m / 148 ft	43 m / 141 ft	34 m / 113 ft	45 m / 147 ft	35 m / 114 ft	35 m / 117 ft	30 m / 100 ft	34 m / 112 ft
90°C / 162°F	40 m / 132 ft	38 m / 126 ft	30 m / 100 ft	40 m / 131 ft	31 m / 102 ft	31 m / 104 ft	27 m / 89 ft	30 m / 100 ft
100°C / 180°F	36 m / 119 ft	34 m / 113 ft	27 m / 90 ft	36 m / 118 ft	28 m / 91 ft	28 m / 94 ft	24 m / 80 ft	27 m / 90 ft

# Stainless Steel Installation Guide

## Expansion Loops and Compensators



The table below gives the maximum possible straight distance between two compensators vs. the temperature variation:

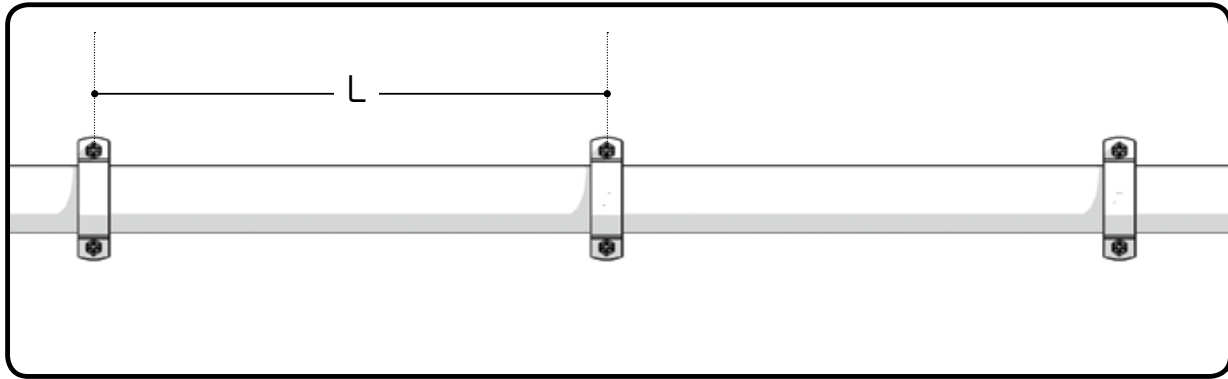
	Ø15 mm / 1/2"	Ø28 mm / 1"	Ø35 mm / 1 1/4"	Ø42 mm / 1 1/2"	Ø54 mm / 2"
$\Delta t$	Maximim distance between two compensators (1000 cycles max.)				
5°C / 9°F	193 m / 636 ft	266 m / 874 ft	315 m / 1033 ft	387 m / 1272 ft	436 m / 1431 ft
10°C / 18°F	96 m / 318 ft	133 m / 437 ft	157 m / 516 ft	193 m / 636 ft	218 m / 715 ft
20°C / 36°F	48 m / 159 ft	66 m / 218 ft	78 m / 258 ft	96 m / 318 ft	109 m / 357 ft
30°C / 54°F	32 m / 106 ft	44 m / 145 ft	52 m / 172 ft	64 m / 212 ft	72 m / 238 ft
40°C / 72°F	24 m / 79 ft	33 m / 109 ft	39 m / 129 ft	48 m / 159 ft	54 m / 178 ft
50°C / 90°F	19 m / 63 ft	26 m / 87 ft	31 m / 103 ft	38 m / 127 ft	43 m / 143 ft
60°C / 108°F	16 m / 53 ft	22 m / 72 ft	26 m / 86 ft	32 m / 106 ft	36 m / 119 ft
70°C / 126°F	13 m / 45 ft	19 m / 62 ft	22 m / 73 ft	27 m / 90 ft	31 m / 102 ft
80°C / 144°F	12 m / 39 ft	16 m / 54 ft	19 m / 64 ft	24 m / 79 ft	27 m / 89 ft
90°C / 162°F	10 m / 35 ft	14 m / 48 ft	17 m / 57 ft	21 m / 70 ft	24 m / 79 ft
100°C / 180°F	9 m / 31 ft	13 m / 43 ft	15 m / 51 ft	19 m / 63 ft	21 m / 71 ft

### Example:

Consider an installation with a 100m / 328 ft straight line in 15mm / 1/2" pipe. The minimum temperature of the system is -20°C / -4°F in the winter, and the maximum temperature is 50°C / 122°F due to hot compressed air when the system is in use. The  $\Delta t$  is then 70°C / 126°F.

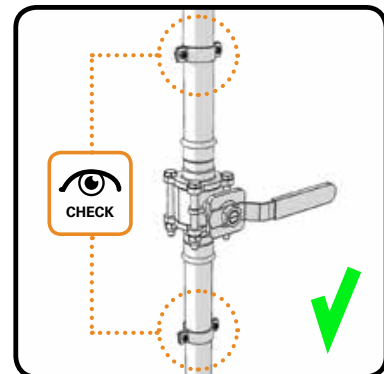
For this 100m / 328 ft straight line, this means that 1 expansion loop is required. This means that for this straight line, 7 compensators are required.

## Pipe Support



The maximum distance L between two pipe clips is given by the table below:

External Pipe Diameter (mm / inch)	Maximum distance (m / ft)
15 / 1/2"	1,5 / 5
28 / 1"	2,5 / 8
35 / 1 1/4"	2,5 / 8
42 / 1 1/2"	3 / 10
54 / 2"	3,5 / 11,5
76 / 2 3/4"	4 / 13
89 / 3 1/2"	4,5 / 14,5
108 / 4"	5 / 16



Valves must be supported by a pipe clip on both sides, with a maximum distance of 0.5m (20") between the valve and the pipe clips.

# Stainless Steel Installation Guide

## Tools-Overview

### D15 - D35

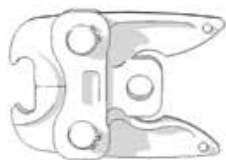
1/2" - 1 1/4"



D15 / 1/2" = 2812 1028 00  
D28 / 1" = 2812 2028 00  
D35 / 1 1/4" = 2812 3028 00

### D42 - D54

1 1/2" - 2"



2812 4528 00



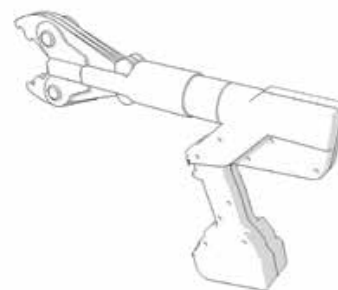
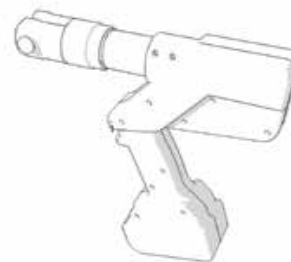
D42 / 1 1/2" = 2812 4028 00  
D54 / 2" = 2812 5028 00

### D76 - D108

2 3/4" - 4"



D76 / 2 3/4" = 2812 6028 00  
D89 / 3 1/2" = 2812 7028 00  
D108 / 4" = 2812 8028 00



Note: the AIRnet Stainless Steel System will only attain the designed pressure when installed using the tools in the table above. Using other tools is not recommend, as this may lower the pressure rating.

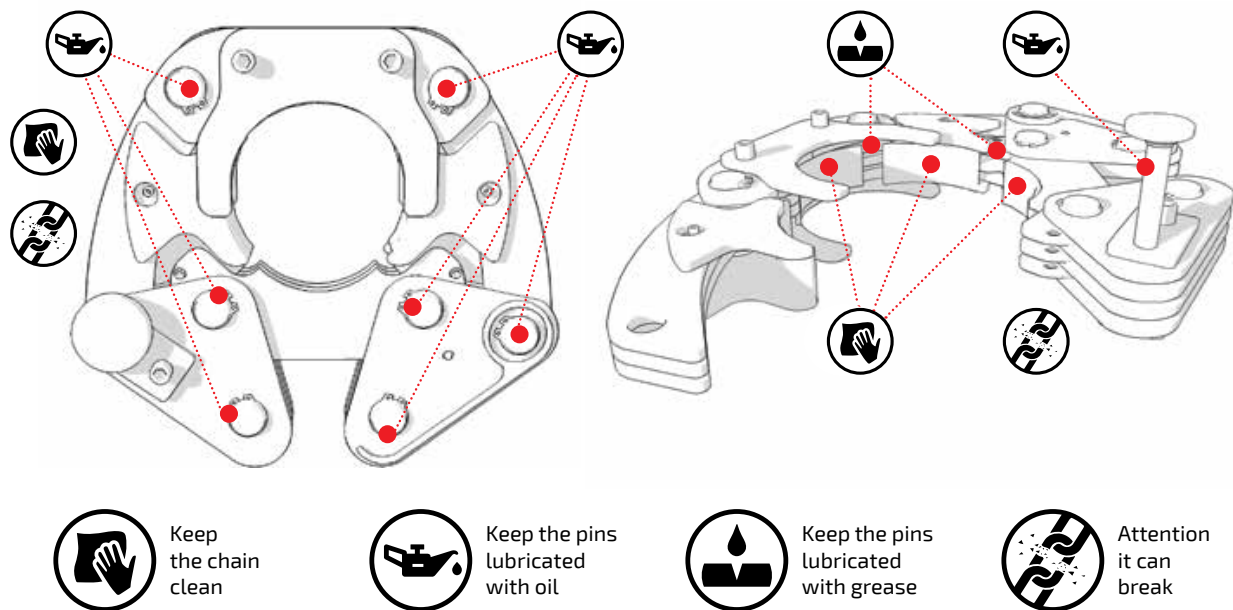


## Tools-Inspection and Maintenance

To guarantee correct installation, the pressing tools must be checked regularly by an official authorized repairer according to the manufacturer specifications.

All moving parts and pressing surfaces must be cleaned and lubricated daily.

Before starting installation, make sure to inspect the tools thoroughly. Any possible oxidation, paint or dirt will affect the reliability, possibly resulting in sliding issues on the fittings during pressing.

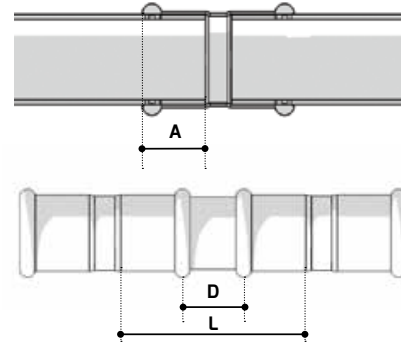


# Stainless Steel Installation Guide

## Installation-Pipe Preparation

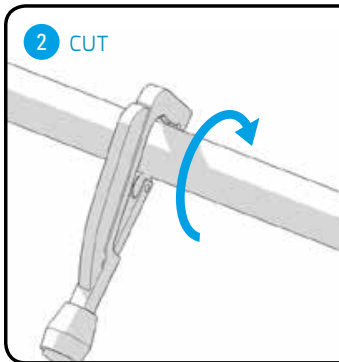
### 1 MEASURE

Pipe Outside Diameter (mm/inch)	A mm/ inch	D (mm/inch)	L (mm / inch)
15 / 1/2"	20 / 13/16"	20 / 13/16"	60 / 2 3/8"
28 / 1"	23 / 15/16"	20 / 13/16"	66 / 2 5/8"
35 / 1 1/4"	26 / 1"	20 / 13/16"	72 / 2 13/16"
42 / 1 1/2"	30 / 1 3/16"	40 / 1 9/16"	100 / 5 1/2"
54 / 2"	35 / 1 3/8"	40 / 1 9/16"	110 / 4 5/16"
76 / 2 3/4"	55 / 2 3/16"	60 / 2 3/8"	170 / 6 11/16"
89 / 3 1/2"	60 / 2 3/8"	60 / 2 3/8"	180 / 7 1/16"
108 / 4"	75 / 2 15/16"	60 / 2 3/8"	210 / 8 1/4"

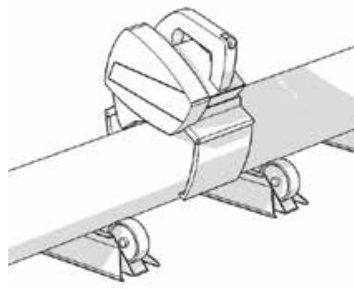


A = Insertion Depth  
D = Minimum Distance  
L = Minimum Pipe Length Tube

### 2 CUT



OR



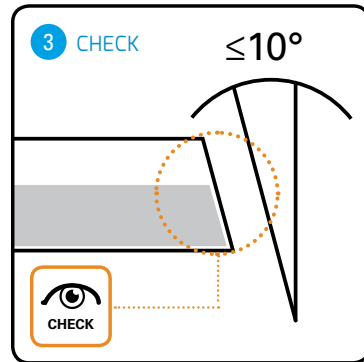
Ø 15-54 mm 2810 0040 00

110/120V 2810 0640 80

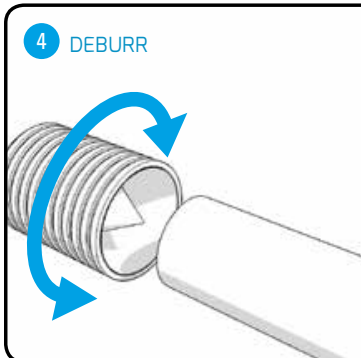
Ø 76-108 mm 2810 0140 00

220/230V 2810 0540 80

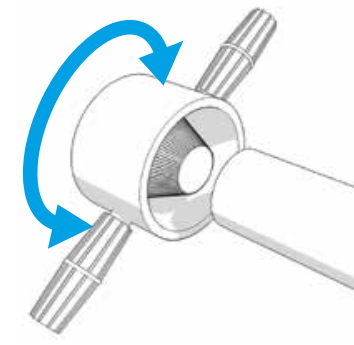
### 3 CHECK



### 4 DEBURR



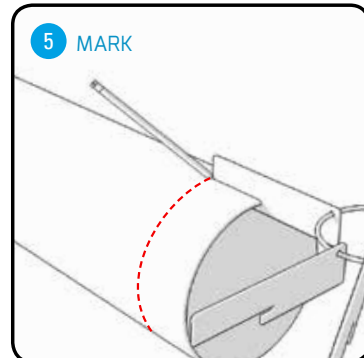
OR



Ø 15-54 mm 2810 0141 00

Ø 76 - 108 mm 2810 0641 00

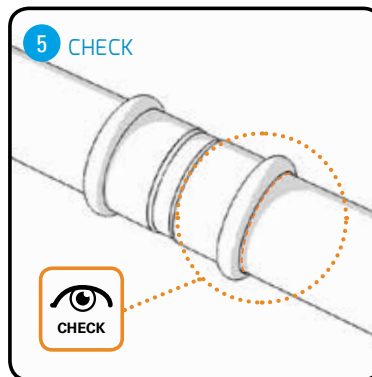
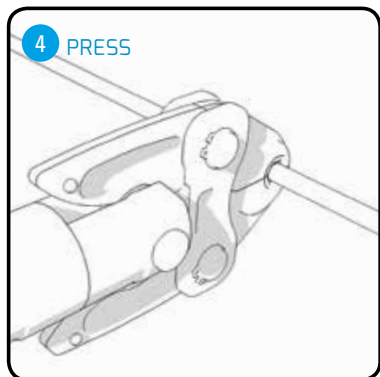
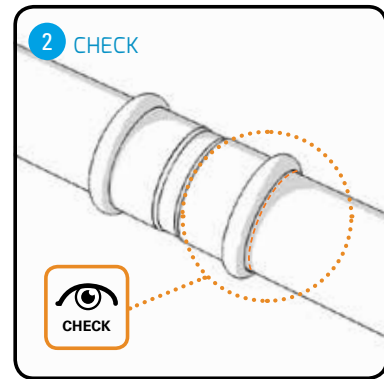
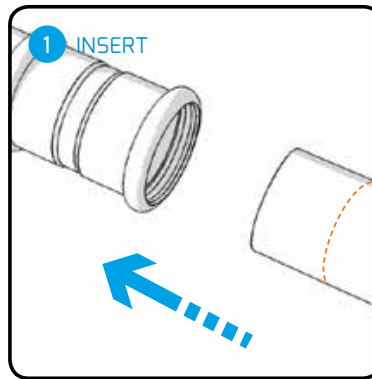
### 5 MARK



ALL 2812 0029 80

## Installation-Press Fitting

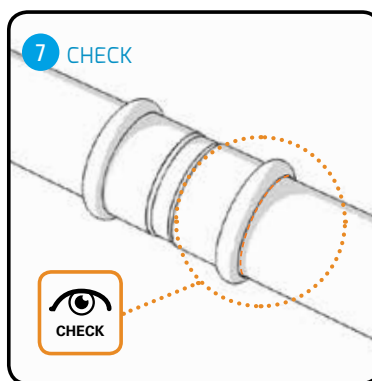
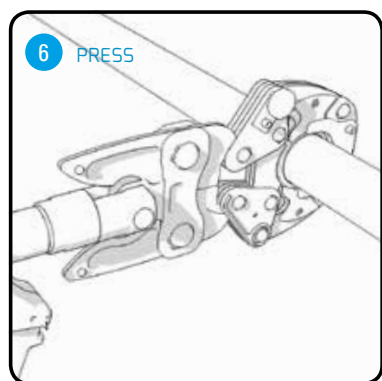
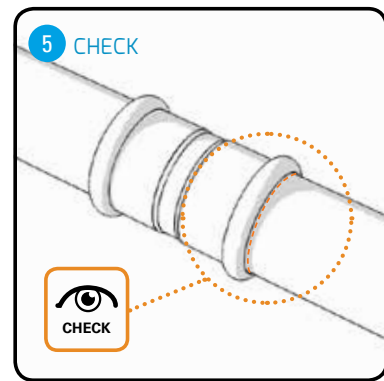
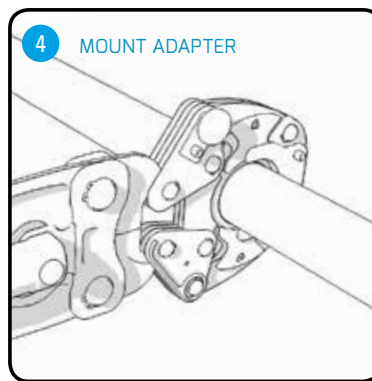
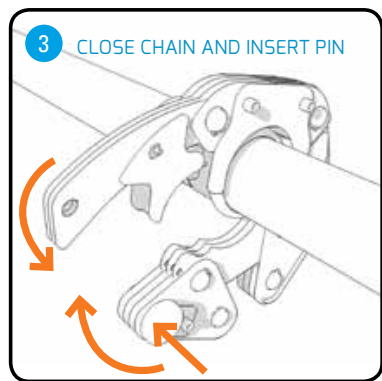
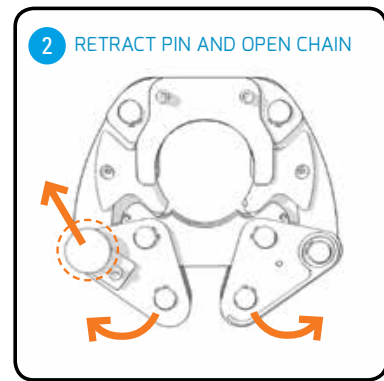
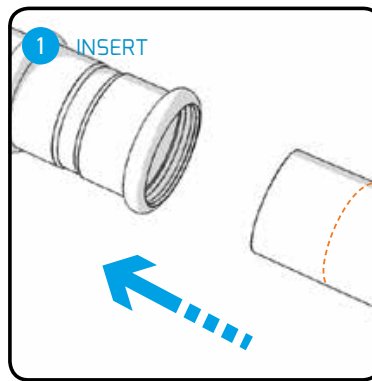
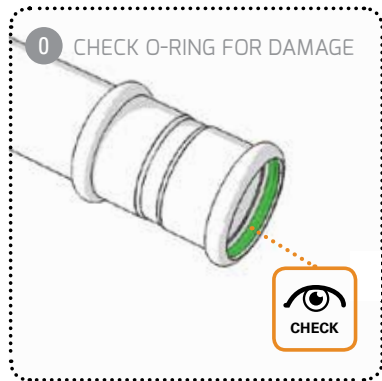
DIAMETERS 15-35/1/2"-1 1/4"



# Stainless Steel Installation Guide

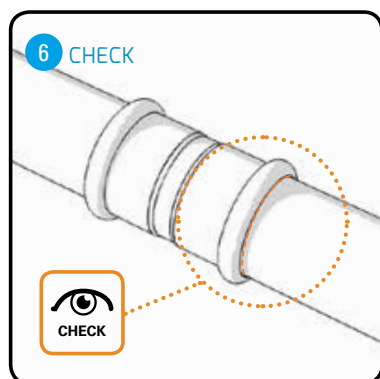
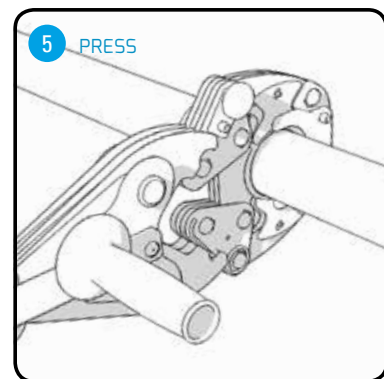
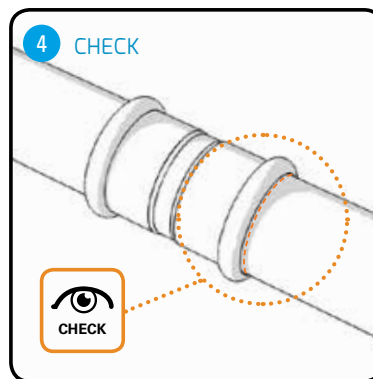
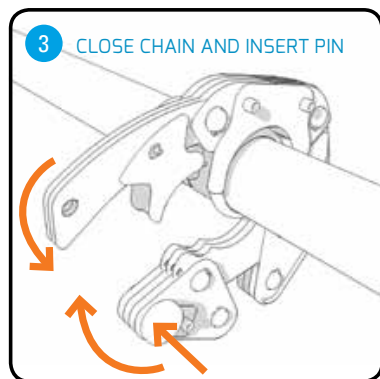
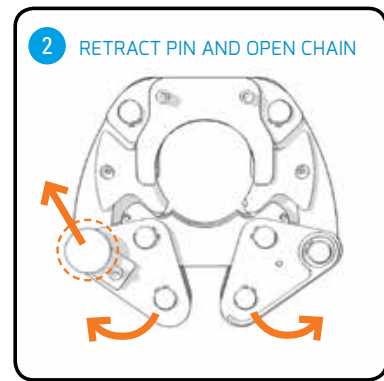
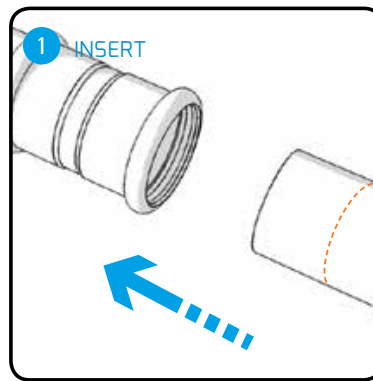
## Installation-Press Fitting

DIAMETERS 42-54mm/1½"-2"



## Installation-Press Fitting

DIAMETERS 76-108mm/2<sup>3</sup>/<sub>4</sub>"-4

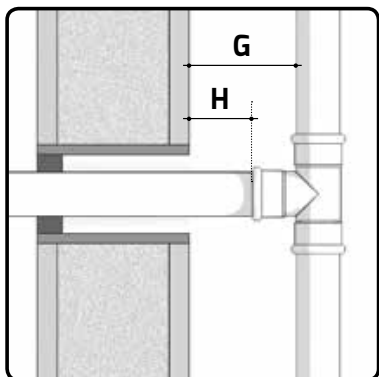
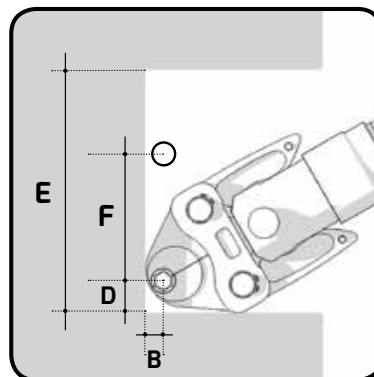
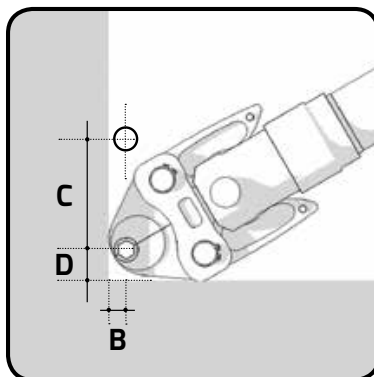
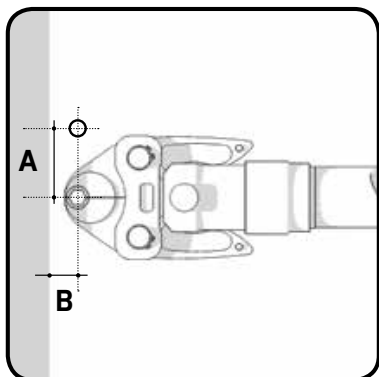


# Stainless Steel Installation Guide

## Minimum Distances and Space Requirements for Pressing

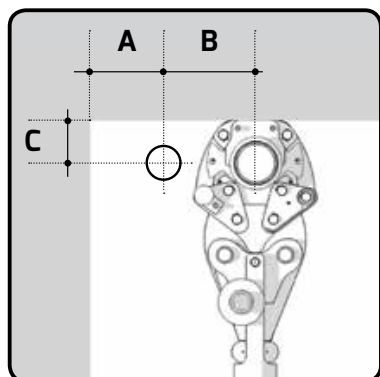
To carry out pressing correctly, there must be a minimum distance between the pipe and the building, and from pipe to pipe as shown in the tables below.

### Minimum distances and space requirements D15 - D35 / 1/2" - 1 1/4"



diameter	A	B	C	D	E	F	G	H
D15 - 1/2"	56 mm 2 1/4"	30 mm 1 1/8"	75 mm 3"	35 mm 1 3/8"	155 mm 6 1/8"	95 mm 3 3/4"	60 mm 2 3/8"	40 mm 1 5/8"
D28 - 1"	82 mm 3 1/4"	40 mm 1 5/8"	90 mm 3 1/2"	45 mm 1 3/4"	180 mm 7 1/8"	90 mm 3 1/2"	63 mm 2 1/2"	40 mm 1 5/8"
D35 - 1 1/4"	85 mm 3 3/8"	40 mm 1 5/8"	90 mm 3 1/2"	45 mm 1 3/4"	180 mm 7 1/8"	90 mm 3 1/2"	66 mm 2 5/8"	40 mm 1 5/8"

## Minimum distances and space requirements D42 - D108 / 1 1/2" - 4"



diameter	A	B	C
D42 - 1 1/2"	150 mm 5 7/8"	150 mm 5 7/8"	110 mm 4 3/8"
D54 - 2"	150 mm 5 7/8"	150 mm 5 7/8"	110 mm 4 3/8"
D76 - 2 3/4"	170 mm 6 3/4"	210 mm 8 1/4"	170 mm 6 3/4"
D89 - 3 1/2"	190 mm 7 1/2"	260 mm 10 1/4"	190 mm 7 1/2"
D108 - 4"	200 mm 7 7/8"	320 mm 12 5/8"	280 mm 11"

# Pre-Quote Checklist



## Pre-Quote Checklist

Pre-Quote Checklist			
Does customer have Autocad drawing or sketch of installation?		<input type="checkbox"/>	Elevation View?
Parts only	<input type="checkbox"/>	Parts and labor	<input type="checkbox"/>
Equipment			
Compressor Model	<input type="text"/>	Connection Size	<input type="text"/> ▼
Max CFM	<input type="text"/>	Loading Pressure	<input type="text"/>
Dryer	<input type="checkbox"/>	Connection Size	<input type="text"/> ▼
Dryer Bypass	<input type="checkbox"/>		
Receiver	<input type="checkbox"/>	Connection Size	<input type="text"/> ▼
Filters	<input type="checkbox"/>	Connection Size	<input type="text"/> ▼
Filter Bypass	<input type="checkbox"/>		
Mist Eliminator	<input type="checkbox"/>	Connection Size	<input type="text"/> ▼
Additional Equipment	<input type="checkbox"/>	Connection Size	<input type="text"/> ▼
Explain	<input type="text"/>		
Building			
Ceiling Height	<input type="text"/> ▼	Truss Type?	<input type="text"/> ▼
Obstacles	<input type="checkbox"/>	Explain	<input type="text"/>
System			
Isolation Valves	<input type="checkbox"/>	Quantity	<input type="text"/>
Quantity of Drops	<input type="text"/>	Quick DropSize	<input type="text"/> ▼
How do drops terminate?	<input type="text"/> ▼		
Ball Valve required for compressor	<input type="checkbox"/>		<input type="text"/> ▼
Hanging equipment Required	<input type="checkbox"/>	Explain	<input type="text"/>

Does application require advanced corrosion protection (316L vs. 304L standard grade material)?



# Commissioning Report

Certified installer: \_\_\_\_\_

Responsible AIRnet champion: \_\_\_\_\_

Customer: \_\_\_\_\_

Commissioning date (dd/mm/yyyy): \_\_\_\_\_

Customer address: \_\_\_\_\_

Expansion of existing installation

New installation

## Before installation

### Safety

- All safety instructions at customer site have been acknowledged and applied.
- The AIRnet installation manual (latest version is available on the website: <https://www.airnet-system.com/en>) has been read and understood. The installation is carried out in accordance with the instructions in this manual.

### Medium

- Compressed air
- Vacuum
- Nitrogen
- Other: \_\_\_\_\_

	T <sub>MAX</sub> _____ °C / °F
	T <sub>AVG</sub> _____ °C / °F
	T <sub>MIN</sub> _____ °C / °F
	Working pressure _____ bar(g) / psi

### Ambient conditions

The installation is installed:

- Indoor       Outdoor
- The piping is protected against violent impacts and wind gusts

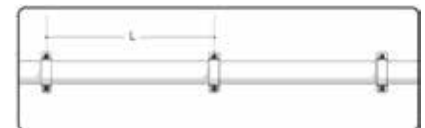
### Network Layout

- To ensure proper draining of condensate, pipes should be sloped at 1-2% and a drain point should be foreseen at every lowest point of the line.
- Ensure that pressure vessels are bolted to the floor, and that vibrations may not be transmitted to the AIRnet piping.
- Expansion loops or compensators  
Number of expansion loops or compensators: \_\_\_\_\_  
Longest straight line: \_\_\_\_\_ m/ft

## Installation

- Check if enough supporting is used based on the table on the right. The table shows the maximum allowed distance L between two pipe clips.

External Pipe Diameter (mm / inch)	Maximum distance (m / ft)
16 / 5/8"	1.5 / 5
20 / 3/4"	2.5 / 8
25 / 1"	2.5 / 8
42 / 1 1/2"	3 / 10
54 / 2"	3.5 / 11.5
76 / 2 3/4"	4 / 13
89 / 3 1/2"	4.5 / 14.5
108 / 4"	5 / 16



# Notes

---

---

---

---

---

---

---

---

---

---

---

---

---

---

---

---

---

---

---

---

---

---

---

---

---

---

---

---

---

---



In line with the high quality performance of the AIRnet product range, we provide our customers with a 10 year guarantee on the AIRnet aluminum & stainless steel range of pipes & fittings against any damages resulting from material defect.

## Warranty Coverage Terms

- Use only genuine parts.
- Perform installation according to our instructions and guidelines.
- Never use the components below or in excess of its limit ratings.
- Protect your installation against shocks or vibrations, corrosive environments.
- Damaged parts and/or site conditions must be submitted for inspection, prior to the settlement of any claim.
- AIRnet warranty is restricted to component replacement only.
- Claims should be addressed to any Customer Center or Authorized distribution network according to the standard procedure.
- This 10 year guarantee is limited to providing you with a new AIRnet fitting or pipe and is subject to our determination that the fitting or pipe failed exclusively due to a defect in the material during the production period.
- The Point of use accessories will have a guarantee of 18 months from the date of supply or 12 months from the date of installation.

## AIRnet 10 year Limited Warranty

Atlas Copco warrants that any and all AIRnet Products delivered by Atlas Copco are delivered free of defects in material and workmanship. Unless specified otherwise by Atlas Copco in its written quotation regarding the particular Product, the above-stated limited warranty shall expire ten years from the date of installation by authorized Atlas Copco personnel. Notwithstanding the foregoing, in the event the Product is a part (spare part/ replacement part), the above-stated warranty shall expire on the last day of the original ten year period. The warranty expressly excludes the effects of normal wear and tear.

If Products do not meet the above-stated warranties, Buyer shall promptly notify Atlas Copco in writing. Atlas Copco shall at its option (i) replace the defective Product or (ii) repair the defective Product. Atlas Copco will determine at its sole discretion which option Atlas Copco will take.

Atlas Copco warrants that any service performed by Atlas Copco is performed in a workmanlike manner. If Atlas Copco provides parts in connection with the service, Atlas Copco warrants that the parts are free of defects in material and workmanship. If service (and/or parts provided in connection therewith) does not meet the above-stated warranties, Buyer shall promptly notify Atlas Copco in writing. Atlas Copco shall at its option re-perform the non-conforming portion of the service and (if applicable) repair or (at Atlas Copco's option) replace the nonconforming part. Atlas Copco will determine at its sole discretion which of the above-mentioned options Atlas Copco will take.

Warranty repair or replacement or re-performed service shall not extend or renew the original warranty period; such Products or parts or service shall remain under warranty only for the unexpired portion of the original warranty period. Replaced Products/parts become the property of Atlas Copco.

Atlas Copco warrants that Atlas Copco has good and marketable title to the Products delivered by Atlas Copco. Atlas Copco is excused and not obligated to perform on its limited warranty due to any cause beyond its reasonable control (including but not limited to acts of God, strike or other concerted action of workmen, act or omission of any governmental authority, act of war or terrorism, act of the public enemy, embargo, delays of carriers, and/or delays by its usual suppliers).

NOTWITHSTANDING ANYTHING ELSE, UNDER NO CIRCUMSTANCES SHALL ATLAS COPCO BE LIABLE FOR ANY CONSEQUENTIAL, INDIRECT, INCIDENTAL, OR SPECIAL DAMAGES (INCLUDING BUT NOT LIMITED TO LOSS OF PROFITS OR REVENUE, LOSS OF TOTAL OR PARTIAL USE OF PRODUCTS OR SERVICES, DOWNTIME COSTS, AND DELAY COSTS), EVEN IF ADVISED OF THE POSSIBILITY OF SUCH DAMAGES OR IF SUCH DAMAGES ARE FORESEEABLE (regardless of whether such damages are characterized as arising out of breach of warranty, tort, contract, or otherwise)

THE FOREGOING WARRANTIES ARE EXCLUSIVE AND IN LIEU OF ALL OTHER WARRANTIES (WRITTEN, ORAL, IMPLIED, OR OTHERWISE), AND ALL OTHER WARRANTIES, INCLUDING BUT NOT LIMITED TO ANY IMPLIED WARRANTIES OF MERCHANTABILITY OR FITNESS FOR A PARTICULAR PURPOSE, ARE HEREBY EXPRESSLY DISCLAIMED. CORRECTION OF NONCONFORMITIES (i.e. warranty repair or replacement or refund or credit, all at Atlas Copco's option, of Products that do not conform to the Product warranty above, and re-performance or refund or credit, all at Atlas Copco's option, of service that does not conform to the service warranty above) IN THE MANNER AND WITHIN THE APPLICABLE WARRANTY PERIOD SET FORTH ABOVE PROVIDES THE EXCLUSIVE REMEDIES WITH RESPECT TO THE QUALITY OF OR ANY DEFECT IN PRODUCTS OR SERVICES DELIVERED OR PERFORMED HEREUNDER.



**GUARANTEE**

**10  
YEARS**



 Add Friends



 FOLLOW US ON



*Atlas Copco*

**Atlas Copco (Thailand) Limited - Compressor Technique Service**

125 Moo 9 Wellgrow Industrial Estate, Bangna-Trad Rd. 36 Km;  
Bangwua, Bangpakong, Chachoengsao, 24130

+66 (0) 38 562 900

[www.atlascopco.com](http://www.atlascopco.com)

**AIRNET**