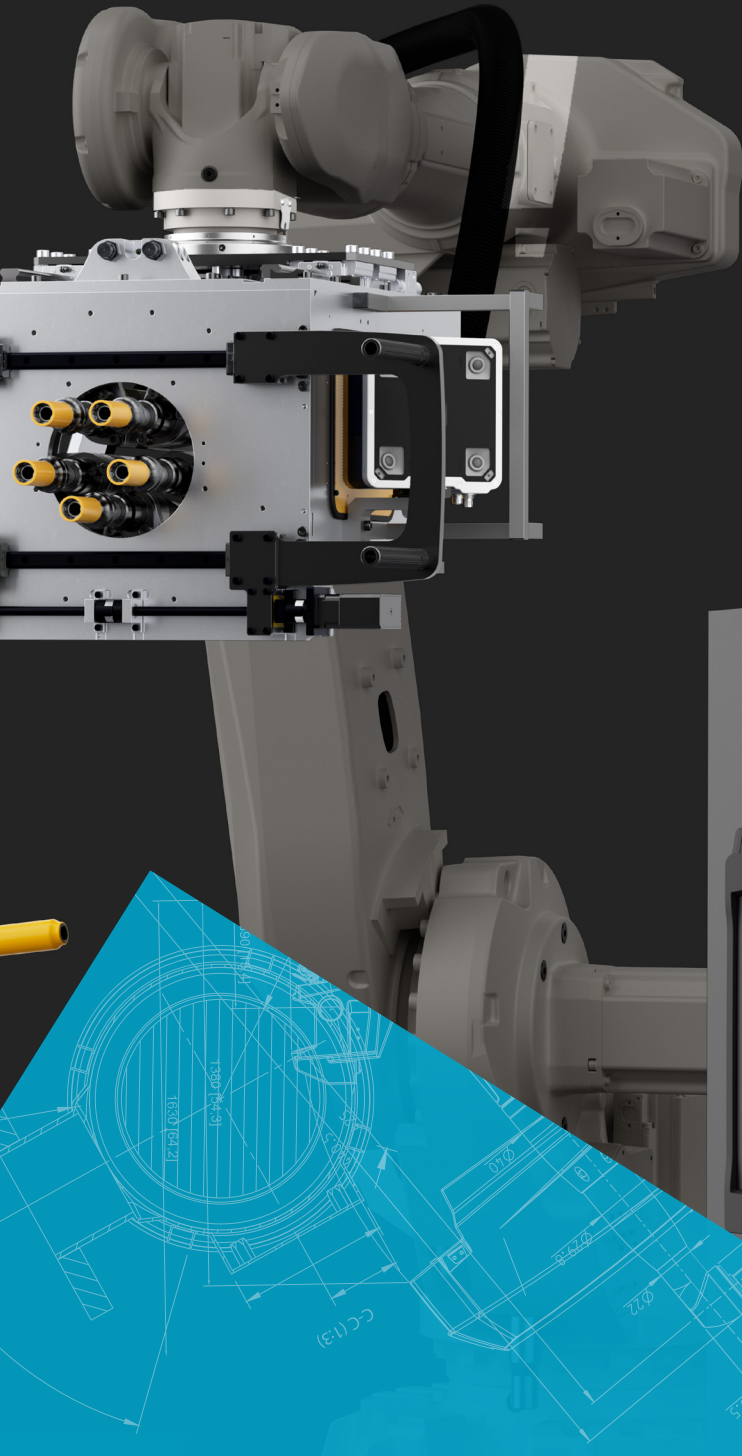


Atlas Copco



Power Focus 8 VBF and Combat Points

Power Focus 8 Combat Points

Power Focus 8 VBF Table

Values	Benefits	Features
✓ Reduced station footprint and hardware costs provides easy line-balancing with extreme flexibility	✓ Support has expanded to accommodate up to 20 Virtual Stations	✓ Support up to 20 tools on one controller
✓ Improved uptime and increased productivity	✓ 45 second boot-up time	✓ New main processor
✓ Intuitive operator experience and improved efficiency	✓ Faster touchscreen responsiveness	✓ Updated user interface
✓ Increased productivity and improved error-proofing	✓ Storage for up to 2,000 tightening programs and 100,000 results (10 times more than previous generation)	✓ 32 GB memory/storage capacity
✓ Improved connectivity and easier line-balancing	✓ Increased range for battery tool support	✓ Improved radio module and external antennas
✓ Reduced infrastructure and IT requirements/permissions	✓ Internal Wi-Fi network capability without IT support	✓ Access Point functionality
✓ Increased connectivity and productivity	✓ Wi-Fi and Access Point support up to 20 tools and Bluetooth supports up to six tools	✓ Three connectivity options for battery tools
✓ Expanded tool support and functionality	✓ IxB connect support is offered for Power Focus 8 with 3.10 or higher software	✓ Support for our latest battery tools
✓ Improved commonality and easy integration for multi-spindle electric tools	✓ Common platform to support hand tools as well as fixtured and multi-spindle systems using the all new PFS controller with 3.10 or higher software	✓ Support for the all new PFSync controller
✓ Increased accessory and connectivity support	✓ Two PoE ports	✓ Added PoE port

Cost

- Multi-tool support for up to 20 tools on a single controller reduces hardware costs and line drops
- Support for 13 tool types ensures support for the right tool for the job with easy line-balancing
- Safety critical accuracy reduces scrap, rework, and recall costs associated with fastening errors



Productivity

- 32 GB storage capacity increases results and program storage which improves error-proofing and productivity
- New main processor reduces boot time to 45 secs and improves screen responsiveness for a better operator experience and better efficiency
- Software compatibility with ToolsTalk 2 and ToolsNet 8 maintains productivity and ensure error-proofing with complete data collection
- IxB Connect and PFS expands tool support for the IxB and QST tools respectively



Infrastructure

- Three connectivity options increases support for battery tools
- Access Point acts as internal network to support battery tools without additional infrastructure or IT support
- External antennas improve connectivity range for battery tools
- As your integration partner, Atlas Copco offers excellent service and support





Atlas Copco Tools and Assembly Systems

Version date: January 2024

atlascopco.com

